

# Powerhead 24V

## Applications

The Powerhead 6029 is a two position actuator for zone control which mounts on the return valve of the manifold. A 24 V signal actuates the head to open the valve. The position of the valve is normally closed. The Powerhead may be used on all one inch and 1-1/4" Hydronic Alternatives heating manifolds.

## Features

The button indicator at the top of the unit allow the position of the valve to be verified (valve is open when button is up and closed when push with top of the unit). The detachable collar allows for easy installation as the actuator can be wired then snapped into the collar for operation. Compact design provides additional clearance for installation. 36 inch cable length allows most connections to be made without additional wiring.

## Installation

Remove plastic cap from manifold return valve and tighten gray collar to manifold by hand. Do not use a pump pliers or any similar tool . The actuator is delivered in the open position. On initial start up, once power is introduced for a period of six minutes, the valve then sets the proper stroke to close off flow. After this time period, the actuator is now ready for normal operation. Cable may be extended where necessary using 18- 20 gauge wire.



## Specifications

Voltage	24VAC/DC, +20%...-10%, 0-60 Hz 0 Hz
Max. inrush current	250mA during 2 min. max.
Operating power	1,8 W
Closing and opening times	ca. 3 min.
Actuator travel	3/16" [4 mm]
Actuator force	100 N ± 5%
Fluid temperature	32 - 212°F / 0 -100 °C
Storage temperature	-13 to 140°F / -25 to 60°C
Ambient temperature	32 to 140°F / 0 to 60°C
Degree / Class of protection	IP 54*
CE conformity according to	EN 60730
Housing / housing color	white, RAL 9003
Weight	73 g without adapter and cable
Connecting cable / length	36 in. 2 x 0,75 mm' PVC



## Transformer

A safety isolating transformer according to EN 60335 must always be used.

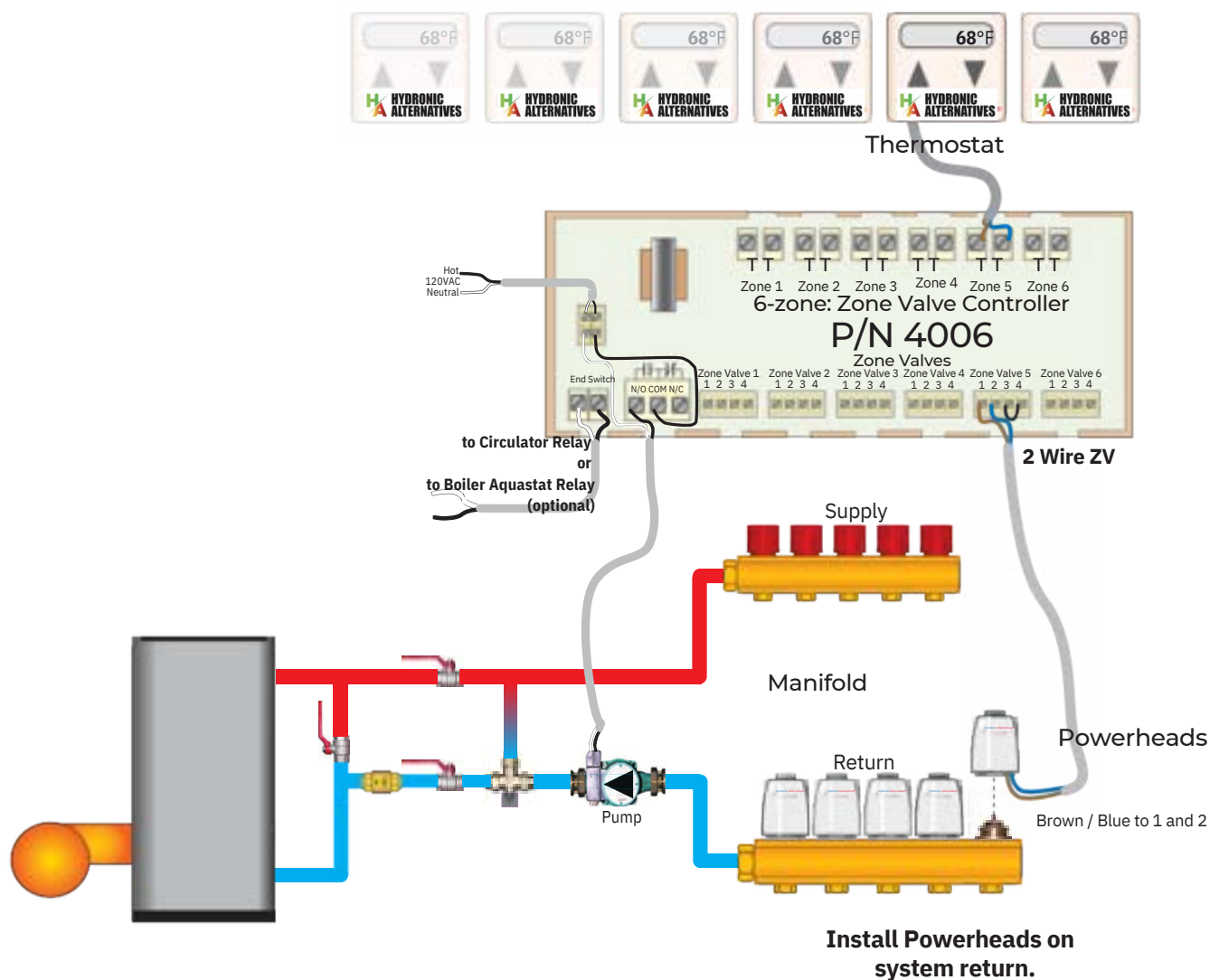
Transformer dimensioning results from the making capacity of the Alpha Actuators.

Rule-of-Thumb- Formula:  $P_{Transformer} = 6W \times n$

n = Number of Alpha-Actuators

# Powerhead 24V

Schematic wiring - Thermostat, Zone Valve Controller and Powerheads



**NOTE:**

Installation by a licensed electrician is recommended. Installation and use of this equipment should be in accordance with provisions of the U.S. national electric code, applicable local code and pertinent industry standards.