

# Stock Pricelist 3-2024



*The Comfort you deserve...*

...From the Experts you Trust!

# Stock Pricelist 3-2024

## Terms and Conditions of Sale

**Prices** All previous prices are withdrawn effective March 1st, 2024  
Prices for the products are quoted in US Dollars

All Prices are subject to change without notice

**Freight** F.O.B Springfield MA

Freight charges will be determined on an individual basis and may include charges for special packaging as necessary

### Returned Merchandise

No returned goods will be accepted for credit without prior authorization (RGA) from Hydronic Alternatives, Inc Re-Stocking, freight of handling charges may be assessed. The Following conditions will also prevail:

1. Goods considered for return must be in the current line of the manufacturers products.
2. Only normally stocked radiators and items can be returned and will be subjected to a minimum 25% re-stocking charge
3. Custom orders and custom sizes and colors will not be accepted for return
4. Any radiators accepted for return must be un-installed and in original new condition, packaged in the original factory cartons
5. Radiators accepted for return must be sent to Hydronic Alternatives freight pre-paid

**Attention:** Radiators may only be returned with prior written RGA authorization from Hydronic Alternatives. Please do not return radiators before receiving authorization

### Claims

Upon receipt of goods, any claims, discrepancies or shortages must be brought to our attention immediately, within five (5) days of receiving the order, as we will not be held responsible for damages to material or consequential labor charges after receipt of goods. All claims for damages will be subject to inspection. If your order arrives damaged, please sign the bill of lading as DAMAGED.

### Special Orders

Orders for non-stock items must be in writing and include a Purchase Order number

Special orders are accepted on a non-cancelable basis only

Please be sure of the model, size, color and connection of any special order item before ordering

### Warranty

The manufacturer offers a 5 year guarantee against leakage and on the finish of it's radiators or convectors provided that they are installed in normal conditions and that they are connected to a hydronic heating system. In the case where the hydronic heating system uses other than metal piping or tubing, the tubing used must meet the DIN standard 4726 for oxygen diffusion. In the case of defects-to the level of raw materials or manufacturing-that are recognized by the manufacturers, the former has the right to the repair or replacement and will not be committed to the expense of labor, transportation, or displacement. The alleged defective article must be returned prepaid to our Springfield MA warehouse. The manufacturer is indemnified against the damage to other's goods or consequential damages as the result of the failure of one of it's products. The replacement or repair of goods detached during the period of guarantee does not prolong the guarantee period. The manufacturer reserves the right to modify the specifications of its products without notice.

### Colors

A list of standard color White (RAL 9016) radiators are stocked at our Springfield, MA warehouse. (For current inventory, please contact our office.) "Other Colors" as indicated in the color chart, are available by special order only at the prices listed herein. Any stock radiator or towel warmer can be painted and ordered with an RAL color # shown on our color wheels. Painted stock radiators have a lead time of 2-3 weeks. Special orders and non-stock items will take approximately 10-12 weeks for delivery from the factory in Europe to our warehouse in Springfield, MA. Please contact your local representative or our office for pricing.

### Disclaimer

The Price list contains a large number of Products and it is always possible that some of the Products listed may be incorrectly priced. We will verify prices as part of our sale procedures so that a Product's correct price will be stated. If an error is made, we reserve the right to make obvious corrections and are not bound by the pricing or to the information printed here within.

# Stock Pricelist 3-2024

## Table Of Contents

<b>Heating Systems and Accessories</b>		<b>Radiators</b>	
PE-RT Tubing	4	Integral Radiators	15-17
Staple Up- Radiant Side Trak	4	Vertical Radiators	18
Above Sub Floor Radiant	5	Towel Warmers	19
Manifolds	6-7	Radiator and Towel Warmer Accessories	19-23
Manifold Fittings	7	Mounting Hardware	24
Manifold Accessories	8	Radiant Panel Baseboard and Accessories	25
Metric Tubing and Fittins	9		
Pex Fittings Brass	9-10		
Hangers and Accessories	10-11		
Controls	12		
3-Way Diverting Valves	13		
Brazed Plate Heat Exchangers	13		
Automag	13-14		



Established in 1995, we strive to be the Hydronic Specialists in North America, our goal is to provide the best Hydronic Heating Systems available, without compromise of quality and integrity, at a fair price, while maintaining a global outlook to new technologies in efficiency and comfort.

# Stock Pricelist 3-2024

## PE-RT 5-Layer Pipe with Oxygen Barrier



Part #	Description	Pipe Size	Coil Length	List Price/Coil	List Price/Foot
13 0300	PE-RT 5-layer pipe	3/8"	300Ft	258.30	0.86
13 0600	PE-RT 5-layer pipe	3/8"	600Ft	516.60	0.86
13 3000*	PE-RT 5-layer pipe	3/8"	3000Ft	2583.00	0.86
16 0300	PE-RT 5-layer pipe	1/2"	300Ft	289.80	0.97
16 0400	PE-RT 5-layer pipe	1/2"	400Ft	386.40	0.97
16 1200	PE-RT 5-layer pipe	1/2"	1200Ft	1159.20	0.97
16 1800*	PE-RT 5-layer pipe	1/2"	1800Ft	1738.80	0.97
20 0500	PE-RT 5-layer pipe	5/8"	500Ft	567.00	1.13
20 1200*	PE-RT 5-layer pipe	5/8"	1200Ft	1360.80	1.13
22 0150	PE-RT 5-layer pipe	3/4"	150Ft	195.30	1.30
22 0800*	PE-RT 5-layer pipe	3/4"	800Ft	1041.60	1.30
29 0150	PE-RT 5-layer pipe	1"	150Ft	390.60	2.60

\*With Disposable wooden hub for roller type de-coilers



3050	Plastic Tubing Cutter	<b>21.47</b>
3050A	Tubing Cutter Replacement Blade	<b>9.60</b>



3099	Pex Uncoiler	<b>650.50</b>
------	--------------	---------------

## Floor Heating System

### Staple Up - Radiant Side Track



Part #	Description	List Price Each
3001	3/8" Radiant Side Track - 4 Feet (each)	<b>15.40</b>
3002	1/2" Radiant Side Track - 4 Feet (Each)	<b>17.95</b>



5385	Crown Stapler 1/2" - (16GA)	<b>505.05</b>
1654	Staples 3/4" x 1/2" Crown 25,650 staples per box	<b>320.50</b>
1654A	Staples 3/4" x 1/2" Crown (75 Staples per leg)	<b>0.95</b>

# Stock Pricelist 3-2024

	<u>Part #</u>	<u>Description</u>	<u>List Price Each</u>
<b>Above Sub Floor Radiant</b>			
	3022	Straight Radiant Floor Board 16" x 48"	<b>55.15</b>
	3023	Combo End Piece Radiant Floor Board 16" x 48"	<b>55.15</b>
	3025	Utility End Piece Radiant Floor Board 16" x 48"	<b>55.15</b>
<b>Concrete Slab</b>			
	CH1	Crete Heat 1" Insulating Panel	<b>Call for P &amp; A</b>
	CH2	Crete Heat 2" Insulating Panel	<b>34.60</b>
	CH3	Crete Heat 3" Insulating Panel	<b>Call for P &amp; A</b>
	3092	Octa Rail for 3/8" - 3/4" PE-RT Pipe (3Ft)	<b>8.55</b>
	3065	Plastic Elbow for 1/2" Pipe	<b>3.95</b>
	3066	Plastic Elbow for 5/8" & 3/4" Pipe	<b>4.20</b>
	3093	Wire Mesh Clip	<b>0.50</b>
	3094	Screw Clip	<b>0.65</b>
	3095	Plastic Ties	<b>0.08</b>
	3194	Screw Clip Installation Tool	<b>77.85</b>
	7060	Manual Stapler (Foam)	<b>708.75</b>
	7067	2-1/2" Foam Staples	<b>0.40</b>

# Stock Pricelist 3-2024

Part #	Description	List Price Each
--------	-------------	-----------------

## 1" Stainless Steel Manifolds "Without" Flowmeters



6002SS NF	1" Stainless Steel Manifold 2 Branch	<b>257.60</b>
6003SS NF	1" Stainless Steel Manifold 3 Branch	<b>318.30</b>
6004SS NF	1" Stainless Steel Manifold 4 Branch	<b>378.95</b>
6005SS NF	1" Stainless Steel Manifold 5 Branch	<b>439.75</b>
6006SS NF	1" Stainless Steel Manifold 6 Branch	<b>500.45</b>
6007SS NF	1" Stainless Steel Manifold 7 Branch	<b>561.10</b>
6008SS NF	1" Stainless Steel Manifold 8 Branch	<b>621.85</b>
6009SS NF	1" Stainless Steel Manifold 9 Branch	<b>682.55</b>
6010SS NF	1" Stainless Steel Manifold 10 Branch	<b>744.20</b>
6011SS NF	1" Stainless Steel Manifold 11 Branch	<b>803.95</b>
6012SS NF	1" Stainless Steel Manifold 12 Branch	<b>864.60</b>

## 1" Stainless Steel Manifolds "With" Flowmeters



6002SS	1" Stainless Steel Manifold 2 Branch	<b>310.25</b>
6003SS	1" Stainless Steel Manifold 3 Branch	<b>336.80</b>
6004SS	1" Stainless Steel Manifold 4 Branch	<b>401.05</b>
6005SS	1" Stainless Steel Manifold 5 Branch	<b>465.30</b>
6006SS	1" Stainless Steel Manifold 6 Branch	<b>529.50</b>
6007SS	1" Stainless Steel Manifold 7 Branch	<b>593.80</b>
6008SS	1" Stainless Steel Manifold 8 Branch	<b>658.05</b>
6009SS	1" Stainless Steel Manifold 9 Branch	<b>722.25</b>
6010SS	1" Stainless Steel Manifold 10 Branch	<b>786.50</b>
6011SS	1" Stainless Steel Manifold 11 Branch	<b>850.70</b>
6012SS	1" Stainless Steel Manifold 12 Branch	<b>914.95</b>

# Stock Pricelist 3-2024

Part # Description List Price Each

## Brass Manifolds 1-1/4" (OV)



6082	2 Branch Manifold 1-1/4" (OV-2)	<b>510.65</b>
6083	3 Branch Manifold 1-1/4" (OV-3)	<b>642.25</b>
6084	4 Branch Manifold 1-1/4" (OV-4)	<b>776.50</b>
6085	5 Branch Manifold 1-1/4" (OV-5)	<b>1007.30</b>
6086	6 Branch Manifold 1-1/4" (OV-6)	<b>1136.05</b>
6087	7 Branch Manifold 1-1/4" (OV-7)	<b>1392.05</b>
6088	8 Branch Manifold 1-1/4" (OV-8)	<b>1527.70</b>
6089	9 Branch Manifold 1-1/4" (OV-9)	<b>1732.05</b>
6090	10 Branch Manifold 1-1/4" (OV-10)	<b>1874.75</b>
6091	11 Branch Manifold 1-1/4" (OV-11)	<b>2121.35</b>
6092	12 Branch Manifold 1-1/4" (OV-12)	<b>2253.15</b>

## Manifold Fittings



6017	G3/4 Manifold Valve Seat Cap	<b>8.15</b>
6018	12mm Manifold Insert Fitting-Brass	<b>24.70</b>
6020	3/8" Manifold Insert Fitting-Brass	<b>9.05</b>
6021	1/2" Manifold Insert Fitting-Brass	<b>9.05</b>
6022	5/8" Manifold Insert Fitting Brass	<b>9.05</b>
6023	3/4" Manifold Insert Fitting Brass	<b>19.27</b>
6020C	3/8" Chrome Insert Fitting for Radiator Valves and Manifolds	<b>11.55</b>
6021C	1/2" Chrome Insert Fitting for Radiator Valves and Manifolds	<b>11.55</b>
6022C	5/8" Chrome Insert Fitting for Radiator Valves and Manifolds	<b>11.55</b>

\*2 Fittings Required Per Manifold Branch

# Stock Pricelist 3-2024

	<u>Part #</u>	<u>Description</u>	<u>List Price Each</u>
<b>Manifold Accessories</b>			
	6025	Flowmeter for return connection (OV)-Specify Range	<b>82.15</b>
	6025A	Flowmeter for return (Inline) connection (OV)-Specify Range	<b>86.60</b>
	6030	Single Zone Expansion Module for OV Header	<b>265.40</b>
	6031	1" Expansion Nipple	<b>27.40</b>
	6032	1-1/4" Expansion Nipple	<b>37.55</b>
	6033	HFA32 1-1/4" Male Adapter for OV Manifold (each)	<b>27.05</b>
	6034	HSA32 1-1/4" Copper Adapter for OV Manifold (each)	<b>27.05</b>
	6035	HFA25 1" Male Adapter for Manifold (each)	<b>27.05</b>
	6036	HSA25 1" Copper Adapter for manifold (each)	<b>27.05</b>
	6070	Supply Valve Cartridge OV Manifold	<b>37.80</b>
	6071	Return valve Cartridge OV Manifold	<b>43.30</b>
	1936	Drain Assembly for OV Manifold	<b>11.05</b>
	1791	Lower Valve Seat for OV Header-Old Style	<b>8.65</b>
	1913	1/2" BSP Plug	<b>7.50</b>
	1921	3/8" BSP Plug	<b>6.05</b>
	1442	3/8" BSP Valve Seat for HA Adapter	<b>9.75</b>
	1088	3/8" BSP Automatic Air Vent	<b>32.30</b>
	1449	1" End Plug for Beulco Manifold	<b>18.25</b>
	1450	1-1/4" End Plug for Beulco OV Manifold	<b>27.40</b>
	3091	Strap On Temperature Gauge	<b>34.40</b>



# Stock Pricelist 3-2024

	<u>Part #</u>	<u>Description</u>	<u>List Price Each</u>
<b>Metric Tubing and Fittings</b>			
	6024	14mm Manifold Fitting (2 required per Manifold Branch)	<b>9.95</b>
	6026	HA-14 14mm Header Adapter (Old Style Manifolds)	<b>19.45</b>
	6027	HA-16 16mm Header Adapter (Old Style Manifolds)	<b>19.45</b>
	6028	HA-19 19mm Header Adapter (Old Style Manifolds)	<b>19.45</b>
	3030	12mm x 3/4" Copper Female Sweat Adapter	<b>12.55</b>
	12MM	12mm PE-RT tubing per foot price	<b>0.95</b>
	14MM	14mm PE-Rt tubing per foot price	<b>1.10</b>
	SA-12	12mm x 3/4" Copper female sweat	<b>14.95</b>
	<b>PEX Compression Fittings Brass</b>		
	3029	5/8" Compression Coupling	<b>17.60</b>
	3055	3/4" Compression Coupling	<b>19.90</b>
	3060	1" Compression Coupling	<b>26.20</b>
	3033A	3/8" Compression x 1/2" Copper Female Sweat	<b>8.75</b>
	3041	3/8" Compression x 3/4" Copper Female Sweat	<b>10.35</b>
	3033B	1/2" Compression x 1/2" Copper Female Sweat	<b>8.75</b>
	3033	1/2" Compression x 3/4" Copper Female Sweat	<b>10.00</b>
	3028	5/8" Compression x 3/4" Copper Female Sweat	<b>12.55</b>
	3053	3/4" Compression x 3/4" Copper Female Sweat	<b>14.65</b>
		3040	3/8" Compression x 1/2" MPT
3065A		1" Compression x 1" MPT	<b>19.48</b>
<b>Barb Fittings Brass</b>			
<b>Couplings</b>			
	T5010	3/8" Barb Coupling	<b>1.90</b>
	T5025	5/8" Barb Coupling	<b>2.50</b>
	T5030	3/4" Barb Coupling	<b>2.60</b>
	T5040	1" Barb Coupling	<b>3.90</b>
<b>Reducing Couplings</b>			
	T5050	1/2" x 3/4" Barb Reducing Coupling	<b>1.85</b>
	T5060	3/4" x 1/2" Barb Reducing Coupling	<b>2.65</b>
	T5070	1" x 3/4" Barb Reducing Coupling	<b>3.95</b>

# Stock Pricelist 3-2024

Part # Description List Price Each

**Brass Fittings: "NOT TO BE USED FOR POTABLE DOMESTIC WATER APPLICATIONS"**

## Barb Fittings Brass

### Barb Elbows



T5200	3/8" Barb Elbow	3.35
T5220	1/2" Barb Elbow	2.80
T5225	5/8" Barb Elbow	4.05
T5230	3/4" Barb Elbow	6.65
T5240	1" Barb Elbow	8.50

### Test Plugs



T6200	3/8" Test Plug	1.45
T6210	1/2" Test Plug	1.50
T6215	5/8" Test Plug	1.90
T6220	3/4" Test Plug	2.05
T6230	1" Test Plug	4.05

### Clamps (for Barb Fittings)



T7010	3/8" Clamp	0.55
T7030	1/2" Clamp	0.55
T7040	5/8" Clamp	0.85
T7050	3/4" Clamp	0.90
T7070	1" Clamp	1.25
W7770	Ratchet Tool	224.60
W7771	Clamp Removal Pincer	22.70





**Brass Fittings: "NOT TO BE USED FOR POTABLE DOMESTIC WATER APPLICATIONS"**

### Metal Bend Supports



3034	Metal Bend Support for 3/8" Pipe	2.05
3049	Metal Bend Support for 5/8" Pipe	4.75
3051	Metal Bend Support for 3/4" Pipe	5.00

# Stock Pricelist 3-2024

	<u>Part #</u>	<u>Description</u>	<u>List Price Each</u>
<b>Tubing Hangers and Accessories</b>			
	3085	Plastic U-Nail for 1/2" Pipe	<b>0.15</b>
	3086	Plastic U-Nail for 5/8" & 3/4" Pipe	<b>0.16</b>
	3087	Plastic U-Nail for 1" pipe	<b>0.37</b>
	3130	Suspension Clamp for 1/2" Pex	<b>0.27</b>
	3140	Suspension Clamp for 3/4" Pex	<b>0.27</b>
	3150	Suspension Clamp for 1" Pex	<b>0.89</b>
	3110	Plastic Clamp (PC) for 1/2" Pipe	<b>0.27</b>
	3120	Plastic Clamp (PC) for 3/4" Pipe	<b>0.30</b>
	3160	Plastic Clamp for 1" pipe	<b>0.40</b>
	SNC10	5/16" Single Nylon Clip	<b>0.59</b>
	SNC12	3/8" Single Nylon Clip	<b>0.61</b>
	SNC1416	1/2" Single Nylon Clip	<b>0.63</b>
	SNC19	5/8" Single Nylon Clip	<b>0.67</b>
	SNC21	3/4" Single Nylon Clip	<b>0.72</b>
	SNC25	1" Single Nylon Clip	<b>0.91</b>
	DNC10	5/16" Double Nylon Clip	<b>0.96</b>
	DNC12	3/8" Double Nylon Clip	<b>1.08</b>
	DNC1416	1/2" Double Nylon Clip	<b>1.16</b>
	DNC19	5/8" Double Nylon Clip	<b>1.49</b>
	DNC21	3/4" Double Nylon Clip	<b>2.60</b>
	DNC25	1" Double Nylon Clip	<b>2.67</b>

# Stock Pricelist 3-2024

	<u>Part #</u>	<u>Description</u>	<u>List Price Each</u>
<b>Controls</b>			
	3080	Non-electric temperature controller 86F to 140F	<b>278.78</b>
	3081	Non-electric temperature controller 104F to 158F	<b>278.78</b>
	3082	Non-electric Room Responsive Controller WM32	<b>173.62</b>
	3072	EM-32 Electronic Room Responsive Control	<b>216.04</b>
	HA30D	2 stage Set Point Controller	<b>409.50</b>
	5009	0-10 Volt Proportional Actuator	<b>293.95</b>
	5010	3 Point Actuator (24V)	<b>368.29</b>
<b>Powerheads Less Adapter</b>			
	6029	24 Volt Powerhead w/ popup button M30 x 1.5	<b>77.65</b>
	6029B	24 Volt Powerhead w/ 4-Wire Actuator and End Switch	<b>81.85</b>
<b>Powerhead Adapters</b>			
	6029C	Adapter for Viega Manifold M30 x 1.5	<b>7.09</b>
	6029D	Adapter for Beulco Manifold M30 x 1.0 (Old Stadler OV Manifold)	<b>7.09</b>
	6029E	Adapter for Beulco Manifold M30 x 1.5	<b>7.09</b>
	6029F	Adapter for Wirsbo Manifold M28 x 1.5	<b>7.09</b>
	6029G	Adapter for Herz or other Manifold M30 x 1.5	<b>7.09</b>
	6029H	Adapter for ITAP Manifold	<b>7.09</b>
<b>Snowmelt</b>			
	4019	DS-224 Rain/Snow Melt Controller 24VAC/VDC w/ Manual Wall Timer	<b>971.25</b>
		*** Commercial Snowmelting controls are available—Call for P & A ***	

# Stock Pricelist 3-2024

Part #	Description	List Price Each
--------	-------------	-----------------

## Diverting Valves



5021	3/4" 3-Way Diverting Valve Brass	278.93
5022	1" 3-Way Diverting Valve Brass	341.25
5023	1-1/4" 3-Way Diverting Valve Brass	419.95
5024	1-1/2" 3-Way Diverting Valve Brass	447.56

## Brazed Plate Heat Exchangers



5171	6 Plate Heat Exchangers 5" x 12"	394.43
5174	10 Plate Heat Exchangers 5" x 12"	551.36
5124	24 Plate Heat Exchangers 5" x 12"	1049.95
5144	44 Plate Heat Exchangers 5" x 12"	1529.80

## Automag Zone Valves



RI3414UR	Universal Replacement Zone Valve 3/4" 14 (ft hd) 4.5GPM	216.25
RI3425UR	Universal Replacement Zone Valve 3/4" 25 (ft hd) 6 GPM	227.06
RI116UR	Universal Replacement Zone Valve 1" 16 (ft hd) 8 GPM	248.69
RI14HD	Replacement Cover Assembly for 14' RI Valves	147.79
RI2516HD	Replacement Cover Assembly for 16' and 25' Valves	162.23



AA3414	Automag AA Valve 3/4" 14 (ft hd) 4.5 GPM	174.77
AA3425	Automag AA Valve 3/4" 25 (ft hd) 6GPM	189.26
AA116	Automag AA Valve 1" 16 (ft hd) 8 GPM	212.63
AB348	Automag AB Valve 3/4" 8 (ft hd) 8 GPM	171.20



ACOPTION	Automag AC Option/ Fuse rectifier set	14.75
AZC40P	AZC Controls 4 Zone	539.18
AZC60P	AZC Controls 6 Zone	638.30
TS1025	TS 1025 Thermostat with LCD Display	120.75
50VAMB	Power Supply	118.91

# Stock Pricelist 3-2024

Part #	Description	List Price Each
--------	-------------	-----------------

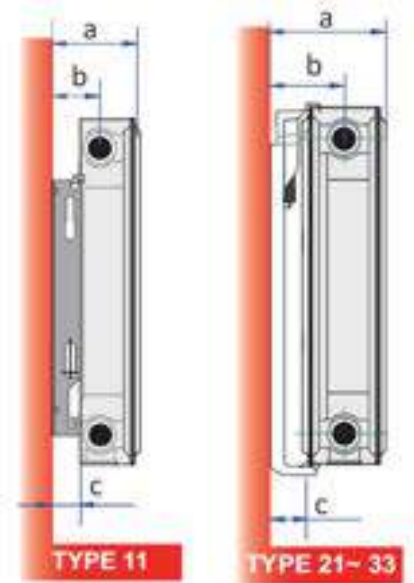
## Automag Parts and Accessories

50VATRANSFORMER	50VA Transformer (For MB Power Supply)	75.65
CNV84	CNV-84 Relay (Used to adapt 2-wire T/Stat to MB)	45.10
29COIL	#29 Coil Assembly (16' or 25' AA Valve)	64.84
31COIL	#31 Coil Assembly (14' AA Valve)	59.48
32COIL	#32 Coil Assembly (AB Valve)	46.88
604	#604 Rectifier (Converts 24VAC to 24VDC)	12.65
CGASKET	"C" Gasket (For 3/4" Valves)	2.73
DGASKET	"D" Gasket (For 1" Vavles)	4.52
REPAIRKIT34	3/4" Repair Kit (Plunger Assembly, Gasket & Bolts)	81.11
REPAIRKIT1	1" Repair Kit (Plunger Assembly, Gasket & Bolts)	81.11



# Stock Pricelist 3-2024

Integral	Height x Width	Weight (lbs)	BTU @ AWT		Price
			180	140	
<b>TYPE 11</b>					
INT-11-500x400	19-5/8" x 15-3/4"	15.2	1477	830	<b>195.04</b>
INT-11-500x600	19-5/8" x 23-5/8"	20.3	2215	1244	<b>215.78</b>
INT-11-500x700	19-5/8" x 27-1/2"	22.9	2589	1454	<b>236.62</b>
INT-11-500x900	19-5/8" x 35-3/8"	28.0	3327	1869	<b>256.99</b>
INT-11-500x1000	19-5/8" x 39-3/8"	30.6	3696	2076	<b>278.46</b>
INT-11-600x600	23-5/8" x 23-5/8"	24.5	2749	1544	<b>235.41</b>
INT-11-600x700	23-5/8" x 27-1/2"	27.6	3205	1801	<b>260.77</b>
INT-11-600x900	23-5/8" x 35-3/8"	34.0	4123	2316	<b>277.94</b>
<b>TYPE 21</b>					
INT-21-300X400	11-3/4" x 15-3/4"	15.2	1367	768	<b>202.07</b>
INT-21-300x600	11-3/4" x 23-5/8"	20.7	2053	1153	<b>231.47</b>
INT-21-300x700	11-3/4" x 27-1/2"	23.4	2393	1344	<b>260.93</b>
INT-21-300x900	11-3/4" x 35-3/8"	28.9	3111	1748	<b>269.80</b>
INT-21-300x1000	11-3/4" x 39-3/8"	31.7	3420	1921	<b>314.58</b>
INT-21-300x1200	11-3/4" x 47-1/4"	37.3	4101	2304	<b>359.36</b>
INT-21-300x1500	11-3/4" x 59"	45.4	5127	2880	<b>405.77</b>
INT-21-300x1800	11-3/4" x 70-7/8"	54.2	6154	3457	<b>467.20</b>
INT-21-300x2400	11-3/4" x 94-1/2"	70.8	8202	4608	<b>585.06</b>
INT-21-300x3000	11-3/4" x 118-1/8"	87.5	10255	5761	<b>702.92</b>
INT-21-400x400	15-3/4" x 15--3/4"	19.2	1658	931	<b>211.58</b>
INT-21-400x600	15-3/4" x 23-5/8"	26.5	2489	1398	<b>243.44</b>
INT-21-400x700	15-3/4" x 27-1/2"	30.2	2900	1629	<b>275.31</b>
INT-21-400x900	15-3/4" x 35-3/8"	37.5	3732	2097	<b>293.63</b>
INT-21-400x1000	15-3/4" x 39-3/8"	41.2	4147	2330	<b>338.99</b>
INT-21-400x1200	15-3/4" x 47-1/4"	49.4	4974	2794	<b>370.81</b>
INT-21-400x1500	15-3/4" x 59"	61.8	6221	3495	<b>434.70</b>
INT-21-400x1800	15-3/4" x 70-7/8"	74.2	7464	4193	<b>498.38</b>
INT-21-500x400	19-5/8" x 15-3/4"	23.1	2019	1134	<b>219.71</b>
INT-21-500x600	19-5/8" x 23-5/8"	32.2	3031	1703	<b>254.57</b>
INT-21-500x700	19-5/8" x 27-1/2"	36.8	3532	1984	<b>285.81</b>
INT-21-500x900	19-5/8" x 35-3/8"	46.1	4544	2553	<b>319.20</b>
INT-21-500x1000	19-5/8" x 39-3/8"	50.7	5050	2837	<b>352.17</b>
INT-21-500x1500	19-5/8" x 59"	73.6	7570	4253	<b>451.34</b>
INT-21-500x1800	19-5/8" x 70-7/8"	87.7	9087	5105	<b>527.00</b>

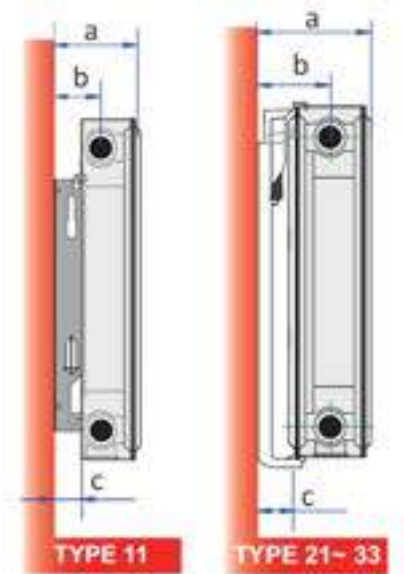


type	a inch	b inch	c inch
11 narrow	3 1/8"	1 3/4"	1 1/8"
11 wide	3 3/8"	2 1/2"	1 1/8"
21	3 3/8"	2 1/2"	1 1/8"
22	5 1/4"	3 1/4"	1 1/8"
33 right	7 1/2"	3 1/4"	1 1/8"
33 left	7 1/2"	7 1/8"	1 1/8"

In Stock Radiators in RAL9016 White (Add \$675 List Price Per Radiator for Custom Color)

# Stock Pricelist 3-2024

Integral	Height x Width	Weight (lbs)	BTU @ AWT		Price
			180	140	
<b>TYPE 21</b>					
INT-21-600x400	23-5/8" x 15-3/4"	27.6	2365	1329	<b>235.52</b>
INT-21-600x600	23-5/8" x 23-5/8"	38.8	3549	1994	<b>274.42</b>
INT-21-600x700	23-5/8" x 27-1/2"	44.3	4139	2325	<b>312.69</b>
INT-21-600x900	23-5/8" x 35-3/8"	55.6	5324	2991	<b>351.49</b>
INT-21-600x1000	23-5/8" x 39-3/8"	61.1	5914	3322	<b>389.97</b>
INT-21-600x1200	23-5/8" x 47-1/4"	72.1	7099	3988	<b>428.61</b>
INT-21-600x1500	23-5/8" x 59"	88.8	8873	4985	<b>505.89</b>
INT-21-600x1800	23-5/8" x 70-7/8"	106.0	10648	5982	<b>601.44</b>
<b>TYPE 22</b>					
INT-22-300X400	11-3/4" x 15-3/4"	16.8	1540	865	<b>221.08</b>
INT-22-300x600	11-3/4" x 23-5/8"	22.9	2305	1295	<b>233.42</b>
INT-22-300x700	11-3/4" x 27-1/2"	26.0	2692	1512	<b>257.20</b>
INT-22-300x900	11-3/4" x 35-3/8"	32.4	3457	1942	<b>281.66</b>
INT-22-300x1000	11-3/4" x 39-3/8"	35.3	3844	2160	<b>328.70</b>
INT-22-300x1200	11-3/4" x 47-1/4"	41.4	4614	2592	<b>356.95</b>
INT-22-300x1300	11-3/4" x 51-1/8"	44.5	4997	2807	<b>385.19</b>
INT-22-300x1500	11-3/4" x 59"	50.9	5766	3239	<b>413.39</b>
INT-22-300x1800	11-3/4" x 70-7/8"	60.6	6919	3887	<b>545.42</b>
INT-22-400x400	15-3/4" x 15-3/4"	21.6	2009	1129	<b>238.98</b>
INT-22-400x600	15-3/4" x 23-5/8"	29.8	3014	1693	<b>275.63</b>
INT-22-400x700	15-3/4" x 27-1/2"	33.7	3516	1975	<b>312.06</b>
INT-22-400x900	15-3/4" x 35-5/8"	42.1	4520	2539	<b>360.52</b>
INT-22-400x1000	15-3/4" x 39-3/8"	46.1	5023	2822	<b>385.46</b>
INT-22-400x1200	15-3/4" x 47-1/2"	54.2	6027	3386	<b>448.82</b>
INT-22-400x1500	15-3/4" x 59"	66.6	7534	4233	<b>525.53</b>
INT-22-400x1800	15-3/4" x 70-7/8"	79.1	9041	5079	<b>602.33</b>
INT-22-500x400	19-5/8" x 15-3/4"	26.2	2633	1479	<b>257.04</b>
INT-22-500x600	19-5/8" x 23-5/8"	36.4	3948	2218	<b>299.83</b>
INT-22-500x700	19-5/8" x 27-1/2"	41.4	4607	2588	<b>341.57</b>
INT-22-500x900	19-5/8" x 35-3/8"	51.8	5926	3329	<b>384.56</b>
INT-22-500x1000	19-5/8" x 39-3/8"	56.9	6581	3697	<b>427.35</b>
INT-22-500-1200	19-5/8" x 47-1/4"	76.2	7900	4438	<b>470.24</b>



type	a inch	b inch	c inch
11 narrow	3 1/8"	1 1/4"	1 1/8"
11 wide	3 3/4"	2 1/2"	1 3/4"
21	3 3/8"	2 1/2"	1 1/8"
22	5 1/4"	3 3/4"	1 1/8"
33 right	7 1/2"	3 3/4"	1 1/8"
33 left	7 1/2"	7 1/8"	1 1/8"

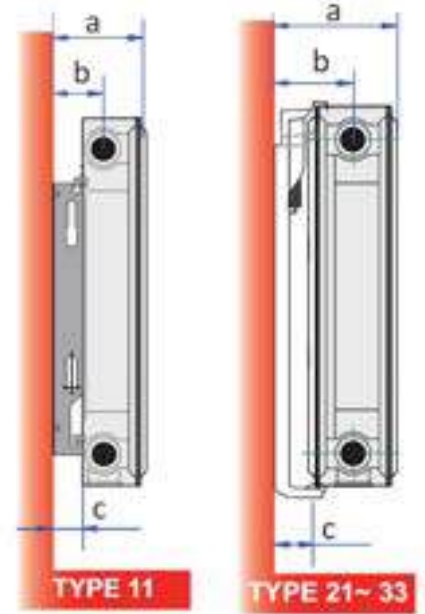
In Stock Radiators in RAL9016 White (Add \$675 List Price Per Radiator for Custom Color)



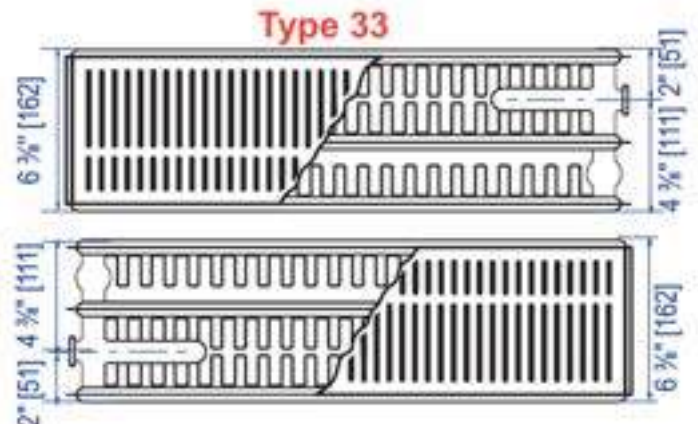
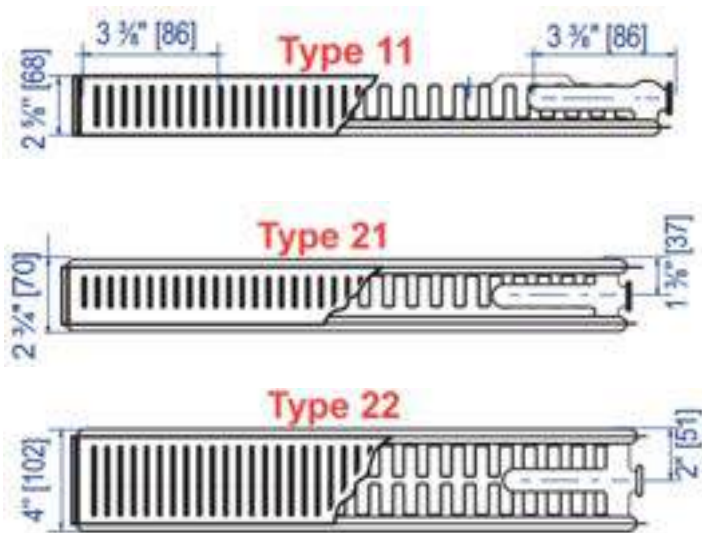
# Stock Pricelist 3-2024

Integral	Height x Width	Weight (lbs)	BTU @ AWT		Price
			180	140	
<b>TYPE 22</b>					
INT-22-600x400	23-5/8" x 15-3/4"	31.1	3192	1793	<b>283.71</b>
INT-22-600x600	23-5/8" x 23-5/8"	43.9	4786	2689	<b>335.32</b>
INT-22-600x700	23-5/8" x 27-1/2"	50.0	5583	3137	<b>386.66</b>
INT-22-600x900	23-5/8" x 35-3/8"	62.8	7177	4032	<b>438.27</b>
INT-22-600x1000	23-5/8" x 39-3/8"	69.2	7979	44.83	<b>489.77</b>
INT-22-600x1200	23-5/8" x 47-1/4"	81.8	9573	5378	<b>541.22</b>
INT-22-600x1500	23-5/8" x 59"	100.8	11964	6721	<b>644.54</b>
INT-22-600x1800	23-5/8" x 70-7/8"	120.4	14359	8067	<b>747.23</b>

<b>TYPE 33</b>					
INT-33-500x400	19-5/8" x 15-3/4"	37.5	3348	1881	<b>325.45</b>
INT-33-500x600	19-5/8" x 23-5/8"	52.7	4906	2756	<b>409.71</b>
INT-33-500x700	19-5/8" x 27-1/2"	60.4	5725	2756	<b>457.54</b>
INT-33-500x900	19-5/8" x 35-3/8"	75.8	7361	4135	<b>523.64</b>
INT-33-500x1000	19-5/8" x 39-3/8"	83.6	8175	4593	<b>589.73</b>
INT-33-600x600	23-5/8" x 23-5/8"	64.2	6139	3449	<b>451.66</b>
INT-33-600x900	23-5/8" x 35-3/8"	92.4	9210	5174	<b>611.78</b>
INT-33-600x1000	23-5/8" x 39-3/8"	101.9	10234	5749	<b>691.64</b>
INT-33-600x1200	23-5/8" x 47-1/4"	120.6	12282	6900	<b>771.59</b>
INT-33-600x1500	23-5/8" x 59"	148.8	15349	8623	<b>931.56</b>
INT-33-600x1800	23-5/8" x 70-7/8"	177.5	18420	10348	<b>1091.42</b>



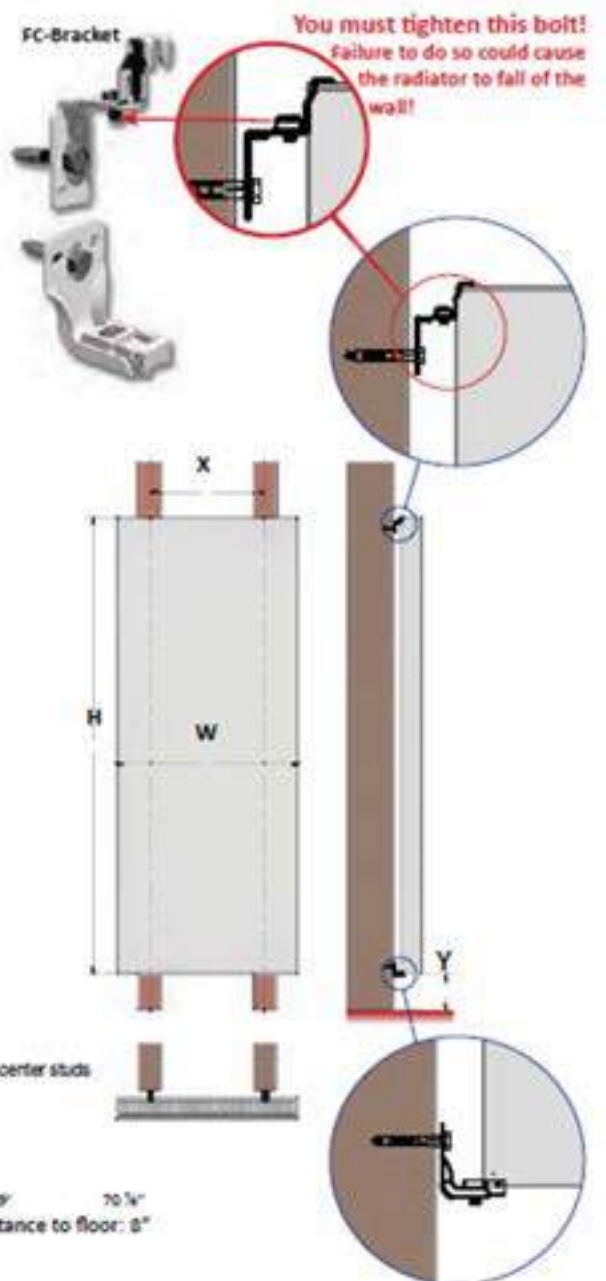
type	a	b	c
	inch	inch	inch
11 narrow	3 1/8"	1 1/4"	1 1/8"
11 wide	3 3/4"	2 5/8"	1 1/4"
21	3 7/8"	2 1/2"	1 1/8"
22	5 1/4"	3 1/4"	1 1/8"
33 right	7 1/2"	3 1/4"	1 1/8"
33 left	7 1/2"	7 1/4"	1 1/8"



# Stock Pricelist 3-2024

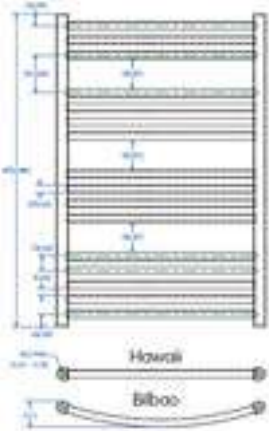
## Vertical Radiators

	Height x Width	BTU @ AWT		Price
		180	140	
VER-20-1500x400	59" x 15-3/4"	2930	1791	<b>596.77</b>
VER-20-1500x600	59"x 23-5/8"	4696	2870	<b>944.48</b>
VER-20-1800x400	70-7/8" x 15-3/4"	5262	3216	<b>720.88</b>
VER-20-1800x600	70-7/8" x 23-5/8"	7407	4528	<b>984.74</b>




# Stock Pricelist 3-2024

Type	Height	Width	Center to Center	BTU @ AWT		Price
				180	140	
<b>Hawaii White</b>						
HA0506WA	23-5/8"	19-5/8"	17-7/8"	1368	769	<b>363.77</b>
HA0509WA	35-3/8"	19-5/8"	17-7/8"	1713	962	<b>407.14</b>
HA0512WA	47-1/4"	19-5/8"	17-7/8"	2511	1411	<b>482.63</b>
HA0515WA	59"	19-5/8"	17-7/8"	3229	1814	<b>563.75</b>
HA0606WA	23-5/8"	23-5/8"	21-7/8"	1596	897	<b>370.49</b>
HA0609WA	35-3/8"	23-5/8"	21-7/8"	1982	1113	<b>464.42</b>
HA0612WA	47-1/4"	23-5/8"	21-7/8"	2915	1638	<b>504.74</b>
HA0615WA	59"	23-5/8"	21-7/8"	3758	2111	<b>583.80</b>
HA0618WA	68-7/8"	23-5/8"	21-7/8"	4480	2517	<b>697.83</b>
<b>Hawaii Chrome</b>						
HA0509WAC	35-3/8"	19-5/8"	17-7/8"	1336	751	<b>857.33</b>
HA0612WAC	47-1/4"	23-5/8"	21-7/8"	2273	1277	<b>1078.40</b>
HA0615WAC	59"	23-5/8"	21-7/8"	2931	1647	<b>1163.61</b>
<b>Bilbao White</b>						
HAB0506WA	23-5/8"	19-5/8"	17-7/8"	1368	769	<b>444.05</b>
HAB0509WA	35-3/8"	19-5/8"	17-7/8"	1713	962	<b>487.52</b>
HAB0512WA	47-1/4"	19-5/8"	17-7/8"	2511	1411	<b>576.40</b>
HAB0515WA	59"	19-5/8"	17-7/8"	3229	1814	<b>631.79</b>
HAB0609WA	35-3/8"	23-5/8"	21-7/8"	1982	1113	<b>558.97</b>
HAB0612WA	47-1/4"	23-5/8"	21-7/8"	2915	1638	<b>604.91</b>
HAB0615WA	59"	23-5/8"	21-7/8"	3758	2111	<b>670.22</b>
<b>Bilbao Chrome</b>						
HAB0509WAC	35-3/8"	19-5/8"	17-7/8"	1336	751	<b>888.98</b>
HAB0612WAC	47-1/4"	23-5/8"	21-7/8"	2273	1277	<b>1251.86</b>



# Stock Pricelist 3-2024

	<u>Part #</u>	<u>Description</u>	<u>List Price Each</u>
<b>Radiator and Towel Warmer Accessories</b>			
	1011	Thermostat M30 x 1.5	<b>52.13</b>
	1013	HerzCules Tamperproof Thermostat w/ locking feature M30 x 1.5	<b>92.87</b>
	1013M	HerzCules Tamperproof Thermostat w/ Locking Feature M28 x 1.5	<b>92.87</b>
	9063	Hercules Un-locking Tool	<b>2.89</b>
	1014	Thermostat M30 x 1.0	<b>47.25</b>
	1016	Thermostat M30 x 1.5 Polished Chrome	<b>73.13</b>
	1165	Low Profile Thermostat M30 x 1.5	<b>32.50</b>
	1165M28	Low Profile Thermostat M28 x 1.5	<b>32.50</b>
	1180	Manual Thermostat Adjuster Head	<b>14.65</b>
	1225	Remote Thermostat w/ 6-1/2' Capillary M30 x 1.5	<b>147.79</b>
	1226	Remote Thermostat w/ 16' Capillary M30 x 1.5	<b>160.39</b>
	3082	Remote Thermostat w/ 30' Capillary M30x1.5 WM32	<b>173.62</b>
	3080	Non-electric temperature controller 86F to 140F	<b>278.78</b>
	3081	Non-electric temperature controller 104F to 158F	<b>278.78</b>
	1943	Remote Bulb Non-Electric Thermostat	<b>107.63</b>
	1045	Right Angle Adapter	<b>47.25</b>
	1185	Single Entry Valve Side Feed (Less Fittings)	<b>76.39</b>
	1185A	Single Entry Valve Side Feed "NO" Bypass (Less Fittings)	<b>76.39</b>
	1186	Single Entry Valve Bottom Feed (Less Fittings)	<b>76.39</b>

# Stock Pricelist 3-2024

	<u>Part #</u>	<u>Description</u>	<u>List Price Each</u>
<b>Radiator and Towel Warmer Accessories</b>			
	1057A	Angle "H" Fitting "NO" Bypass (Less Connection Fittings)	<b>45.99</b>
	1057	Angle "H" Fitting With Bypass (Less Connection Fittings)	<b>72.45</b>
	1058A	Straight "H" Fitting "NO" Bypass (Less Connection Fittings)	<b>45.99</b>
	1058	Straight "H" Fitting With Bypass (Less Connection Fittings)	<b>72.45</b>
	1340	Straight "H" Crossover Fitting "Oops" Fittings	<b>45.94</b>
	1059	Angle 2-pipe Rad Valve (Less ftgs-Vertical Rads) w bypass	<b>80.85</b>
	1059A	Angle 2-pipe Rad Valve (Less ftgs-Vertical Rads)	<b>69.30</b>
	1060	Straight 2-pipe Rad Valve (Less ftgs-Vertical Rads) w bypass	<b>80.85</b>
	1060A	Straight 2-pipe Rad Valve (Less ftgs-Vertical Rads)	<b>69.30</b>
	3733	Mini Straight Shut-Off Valve-Chrome	<b>97.44</b>
	3734	Mini Angle Shut-off Valve-Chrome	<b>97.44</b>
	3791	H 3000-TS Chrome Angle Valve M28 x 1.5	<b>169.16</b>
	3792	H 3000-TS Chrome Straight Valve M28 x 1.5	<b>169.16</b>
	7633	Mini Straight M28 Radiator Valve-Chrome	<b>97.44</b>
	7646	MiniM28 RH Angle Radiator Valve-Chrome	<b>97.44</b>
	9200	Mini Deluxe Chrome Thermostat M28 x 1.5	<b>76.39</b>
	6066	1/2" Chrome Insert Fitting for M28 Valves	<b>25.73</b>
	6284	1/2" Copper Compression-Chrome for M28 Valves	<b>25.73</b>
	1088	3/8" BSP Automatic Air Vent	<b>31.76</b>

# Stock Pricelist 3-2024

	<u>Part #</u>	<u>Description</u>	<u>List Price Each</u>
<b>Radiator and Towel Warmer Accessories</b>			
	1228	3/4" Euroconus Coupling	<b>8.66</b>
	1264	1/2" Straight Radiator Valve Manual Adjustment Only	<b>27.93</b>
	1265	1/2" Angle Radiator Valve Manual Adjustment Only	<b>27.93</b>
	1270	Valve Insert for Radiator Valves*	<b>14.44</b>
		*Various Valve Insert Models are available Call for Availability	
	1291E	1/2" Euroconus Angle Union Shutoff-Less Connection Fittings	<b>27.20</b>
	1291	1/2" Angle Union Shutoff	<b>29.45</b>
	1292	3/4" Angle Union Shutoff	<b>36.49</b>
	1293	1/2" Striaight Union Shutoff	<b>29.45</b>
	1293E	1/2" Euroconus Straight Union Shutoff-Less Connection Fittings	<b>27.20</b>
	1648	3/4" Euroconus 90	<b>22.10</b>
	1694	1/2" RH Side Angle Radiator Valve Body	<b>75.55</b>
	1694E	1/2" Euroconus RH Side Angle Radiator Valve-Less Fittings	<b>61.22</b>
	1695	1/2" LH Side Angle Radiator Valve Body	<b>75.55</b>
	1695E	1/2" Euroconus LH Side Angle Radiator Valve-Less Fittings	<b>61.22</b>
	1880	1/2" Reverse Angle Pattern Valve Body	<b>39.64</b>
	1880E	1/2" Reverse Angle Pattern Valve-Less Fittings	<b>43.63</b>
	1881	3/4" Reverse Angle Pattern Valve	<b>75.23</b>
	1889E	1/2" Euroconus Angle Radiator Valve Body-Less Fittings	<b>38.06</b>

# Stock Pricelist 3-2024

	<u>Part #</u>	<u>Description</u>	<u>List Price Each</u>
<b>Radiator and Towel Warmer Accessories</b>			
	1889	1/2" Angle Radiator Valve Body Only	<b>43.89</b>
	1890	3/4" Angle Radiator Valve Body Only	<b>69.56</b>
	1891	1" Angle Radiator Valve Body Only	<b>98.33</b>
	1892	1-1/4" Angle Radiator valve Body Only	<b>133.19</b>
	1991E	1/2" Euroconus Straight Radiator Valve-Less Connection Fittings	<b>39.53</b>
	1991	1/2" Straight Radiator Valve Body Only	<b>43.89</b>
	1992	3/4" Straight Radiator Valve Body Only	<b>53.81</b>
	1994	1" Straight Radiator Valve Body Only	<b>76.07</b>
	1995	1-1/4" Straight Radiator Valve Body Only	<b>126.79</b>
	1913	1/2" BSP Chrome Plug for Radiators	<b>7.51</b>
	5900	Air Vent, Rotating 1/2" BSP	<b>7.51</b>
	6020C	3/8" Chrome Insert Fitting for Radiator Valves	<b>11.55</b>
	6021C	1/2" Chrome Insert Fittings for Radiator Valves	<b>11.55</b>
	6022C	5/8" Chrome Insert Fittings for Radiator Valves	<b>11.55</b>
	1027	Compression Fitting for 1/2" Copper	<b>11.55</b>
	1028	Panel Nipple to Receive Fittings	<b>6.20</b>
	1368	1/2" Female Union Nuts (Price for Each)	<b>22.58</b>
	HRDB50	50mm Escutcheon for 1/2"&5/8" Tube with 2-7" UV Resistant Cover Tubes	<b>8.03</b>
	1067	50mm White Plastic Trim Plate (1/2" Pex/1/2" Copper)	<b>4.57</b>
	6037	Loctite 55 Thread Wrap	<b>14.65</b>
	5920	Radiator Cleaning Brush	<b>47.36</b>
	9072	White Touch-up Paint 2FL OZ	<b>13.60</b>

# Stock Pricelist 3-2024

Part # Description List Price Each

## Radiator and Towel Warmer Accessories



1167	1/2" Polished Chrome Tee for Electric Element (1/2" M x 1/2" F x 1/2" F)	<b>42.16</b>
1167W	1/2" White Tee for Electric Element (1/2" M x 1/2" F x 1/2" F)	<b>42.16</b>
EE300	300 Watt Electric Element for Towel Heaters	<b>140.44</b>
EE500	500 Watt Electric Element For Towel Heaters	<b>145.16</b>
EE900	900 Watt Electric Element for Towel Heaters	<b>171.62</b>

## Radiator and Towel Warmer Mounting Hardware



3419	White Towel Warmer Mounting Bracket	<b>46.78</b>
3420	Chrome Towel Warmer Mounting Bracket	<b>96.55</b>



378300	Reversible Wall Bracket for 300 Series Radiator (Pair)	<b>25.67</b>
378400	Reversible Wall Bracket for 400 Series Radiator (Pair)	<b>26.62</b>
378500	Reversible Wall Bracket for 500 Series Radiator (Pair)	<b>29.56</b>
378600	Reversible Wall Bracket for 600 Series Radiator (Pair)	<b>30.50</b>
9025	Standing Floor Bracket for 21 Series Radiators	<b>51.98</b>
9025A	Standing Floor Bracket for 22 series Radiators	<b>66.62</b>
9026	Standing Floor Bracket Plastic Cover	<b>13.60</b>

**\*Floor Brackets Not Available for 33 Series Radiators**

### Number Of Pedestals Needed per Radiator

Radiator Heights: 11-3/4" - 19-5/8"		Radiator Heights: 23-5/8" - 35-3/8"	
Radiator Lengths	Qty Per Radiator	Radiator Length	Qty Per Radiator
16" - 70"	2	16" - 48"	2
75" - 118"	3	51" - 70"	3
		75" - 94"	4
		98" - 118"	5

**Attention:** Distance at Lower Edge: Maximum 5-3/4"



# Stock Pricelist 3-2024

	<u>Part #</u>	<u>Description</u>	<u>List Price Each</u>
<b>Radiant Panel Baseboard</b>			
	1015W	1.5' Radiant Panel Baseboard	<b>96.39</b>
	1020W	2.0' Radiant Panel Baseboard	<b>106.26</b>
	1025W	2.5' Radiant Panel Baseboard	<b>119.86</b>
	1030W	3.0' Radiant Panel Baseboard	<b>136.13</b>
	1035W	3.5' Radiant Panel Baseboard	<b>149.78</b>
	1040W	4.0' Radiant Panel Baseboard	<b>165.01</b>
	1045W	4.5' Radiant Panel Baseboard	<b>180.71</b>
	1050W	5.0' Radiant Panel Baseboard	<b>196.67</b>
	1055W	5.5' Radiant Panel Baseboard	<b>211.31</b>
	1060W	6.0' Radiant Panel Baseboard	<b>228.01</b>
	1065W	6.5' Radiant Panel Baseboard	<b>242.71</b>
	1070W	7.0' Radiant Panel Baseboard	<b>258.51</b>
	1075W	7.5' Radiant Panel Baseboard	<b>274.94</b>
	1080W	8.0' Radiant Panel Baseboard	<b>291.06</b>
1085W	8.5' Radiant Panel Baseboard	<b>306.34</b>	
<b>Radiant Panel Baseboard Accessories</b>			
	2000W	12" Snap-On Cover Plate	<b>32.92</b>
	2003W	60" Snap-On Cover Plate	<b>73.66</b>
	2010W	Inside Corner	<b>8.03</b>
	2011W	Outside Corner	<b>9.66</b>
	2010A	Inside Corner with 2 -#2014	<b>41.06</b>
	2011A	Outside Corner with 2-#2014	<b>41.06</b>
	2012W	Right End Cap	<b>5.51</b>
	2013W	Left End Cap	<b>5.51</b>
	2014	3/8" PE-RT 90 Degree Bend	<b>16.59</b>
	2015	3/8" PE-RT Return Bend	<b>23.73</b>
	2020	Panel Bracket Spare	<b>5.72</b>
	2021	Wall Fastener for 12" and 60" Cover Plate	<b>11.29</b>
	3034	3/8" Metal Bend Support	<b>2.26</b>
	3040	3/8" x 1/2" MPT	<b>10.29</b>
	3041	3/8" x 3/4" Female Sweat	<b>11.39</b>
	3042	3/8" Panel Nipple	<b>12.65</b>

# Stock Pricelist 3-2024



4 New Park Road  
East Windsor, CT 06088  
phone 413.543.8733  
fax 413.543.8737

[www.hydronicalternatives.com](http://www.hydronicalternatives.com)  
[info@hydronicalternatives.com](mailto:info@hydronicalternatives.com)

