



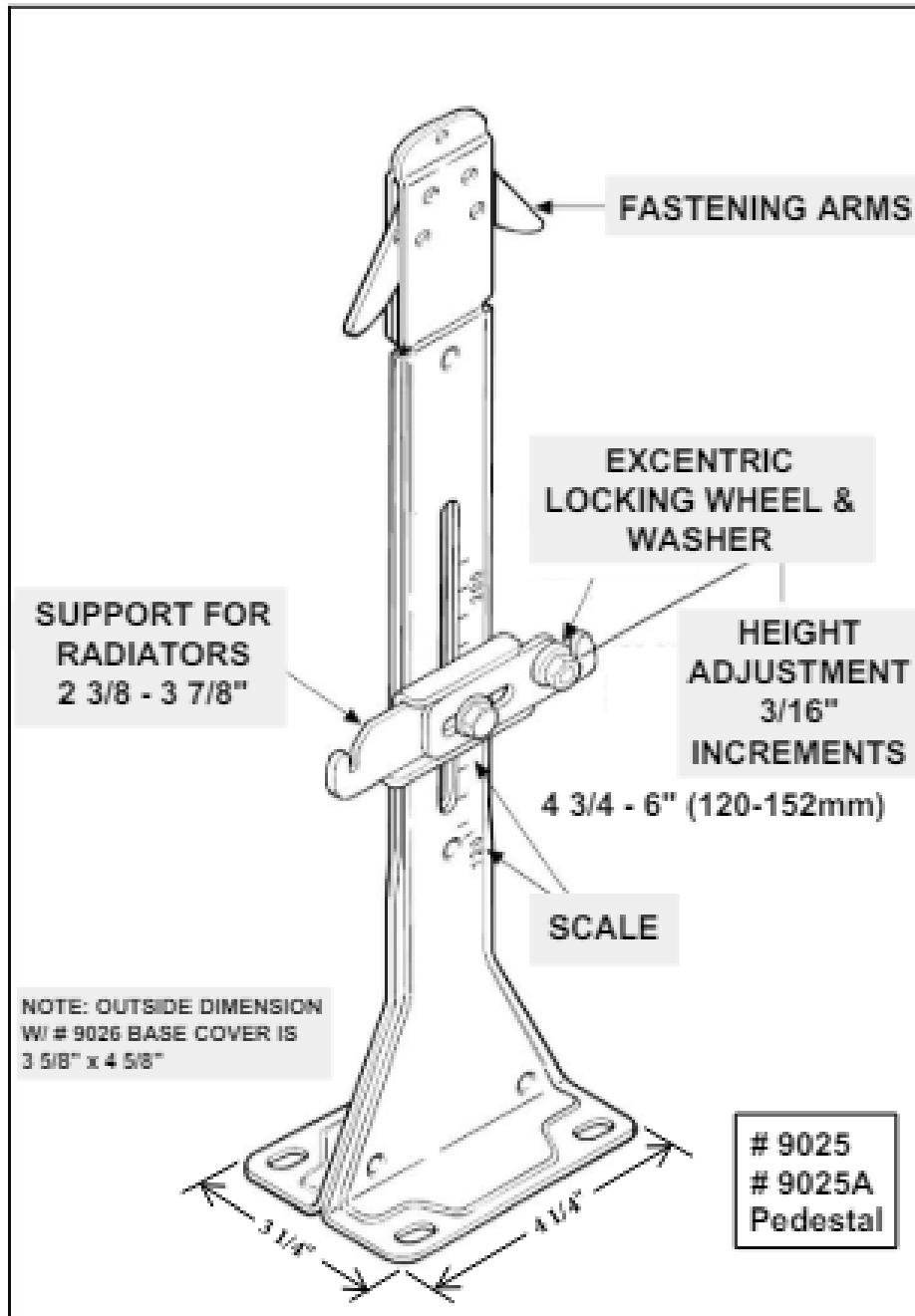
HYDRONIC ALTERNATIVES

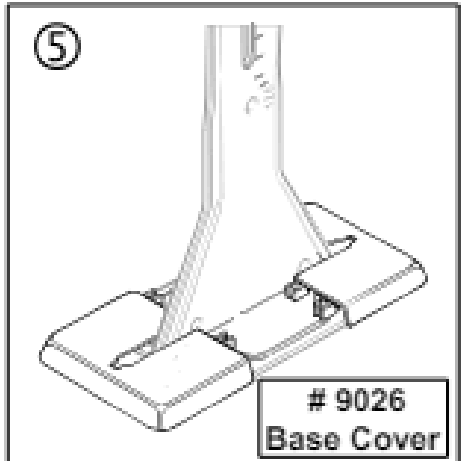
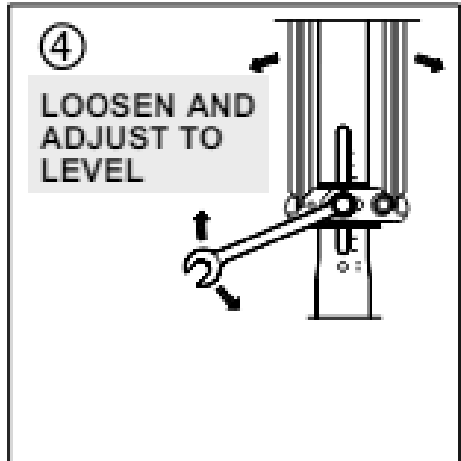
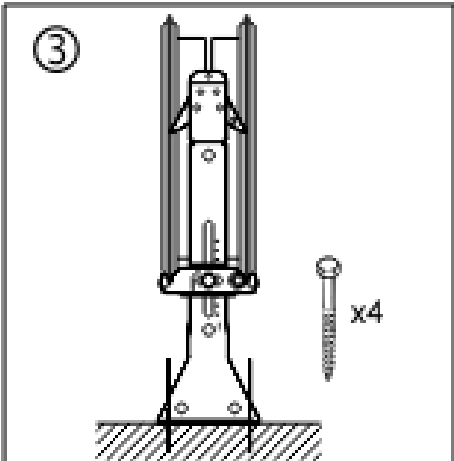
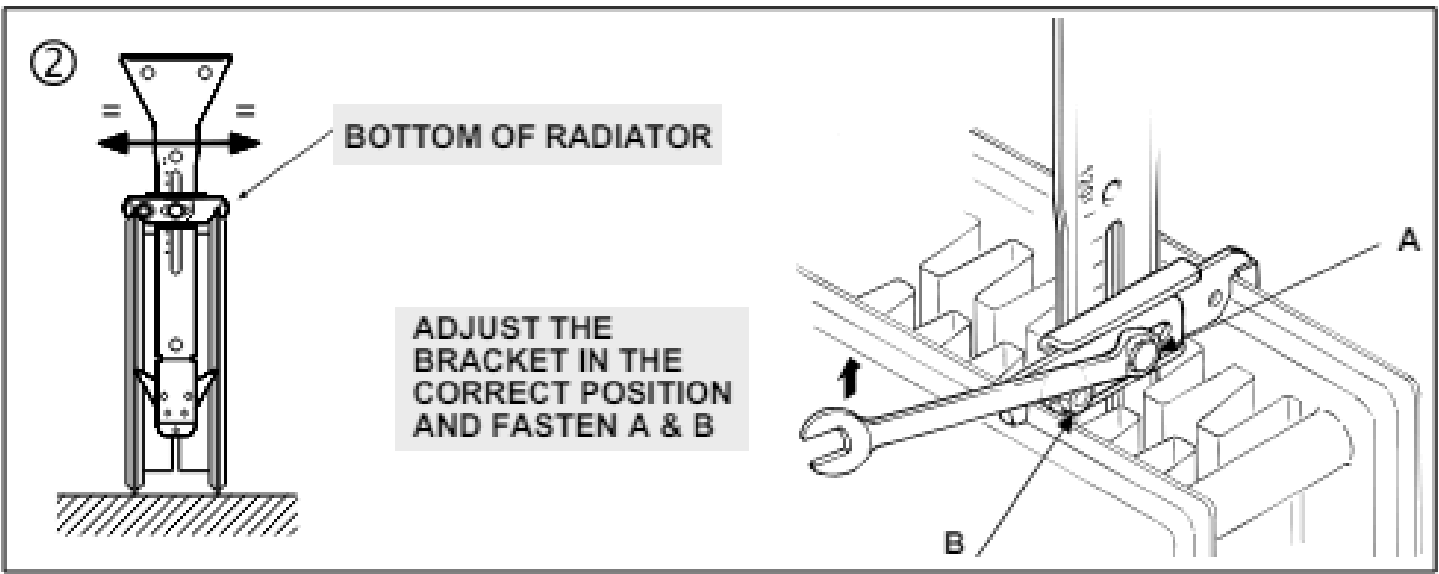
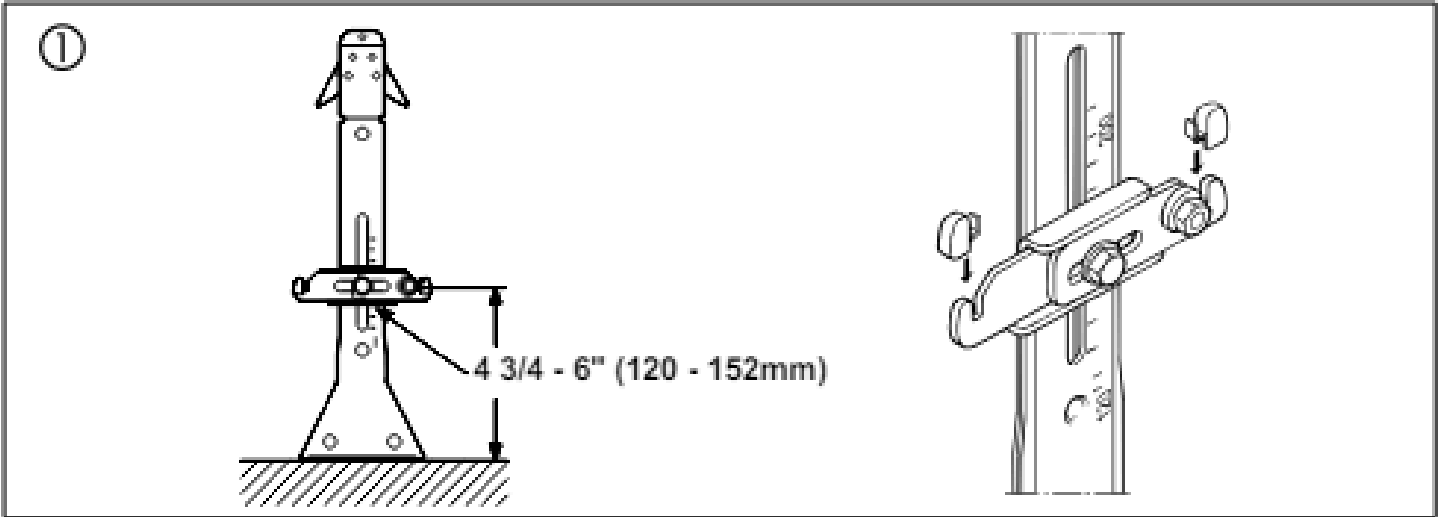
Pedestal for free-standing Radiator Installation

Number of pedestals needed per radiator

Radiator heights 11 3/4" - 19 5/8"		Radiator heights 23 5/8" - 35 3/8"	
Radiator length	Qty per radiator	Radiator length	Qty per radiator
16 - 70"	2	16 - 48"	2
75 - 118"	3	51 - 70"	3
		75 - 94"	4
		98 - 118"	5

Attention: Distance of lower edge - Maximum 5 3/4"





9025 - For 21 Series Radiators
 # 9025A - For 22 Series Radiators
 # 9026 - Base Cover