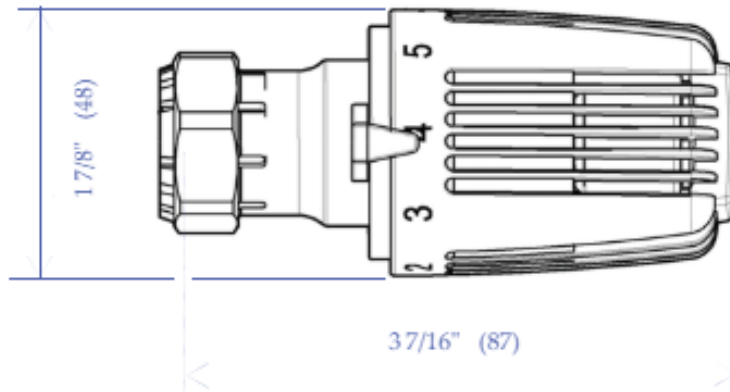


Thermostatic head 1165



1165

1165 Radiator thermostat

Model

1165

With automatic frost protection and limitation and locking of set value range.
White hand wheel.

Set value range: 43-82°F

Operational data

Frost protection: 43°F

The # 1165-thermostat is maintenance-free.

Can be combined with any M30 x 1.5 valve suitable for thermostatic operation.

Field of Application

The # 1165-thermostat serves as probe and control element. The valve spindle is moved when the volume of the filling changes.

Mode of Operation

We reserve the right to make modifications in line with advances in engineering.

By adjusting the scale marking to the indicator the following approximate temperatures can be reached in the room, allowing temperature deviations according to the installation and system type.

Setting options

Marking	*	1	2	3	4	5	6
°F	43	49	56	62	68	74	82

1165

The "4" comfort setting corresponds to a room temperature of approximately 68°F and offers optimum comfort and energy saving.

Comfort setting "4"

Set to "*" position the valve opens at an ambient temperature of approximately 43°F and prevents the system from freezing.

Frost protection "*"

Set to position "0", the thermostatic valve is shut off and the frost protection is overridden.

Shutoff Thermostat # 1165

When the heating period ends, open the thermostat by turning anti-clockwise. This prevents dirt adhering on the valve seat.

Summer setting

1. Remove the protective cap from the Integrated valve.
2. Set the thermostatic head to the "fully open" position (preset) and place it on the Integrated valve until the lower part locks and the indicator is completely visible.
3. Tighten the union nut gently..
4. Turn the hand wheel to check operation.

Installation



Assembly instructions

The # 1165 thermostatic head should not be subjected to direct sunlight or heat radiating devices (e.g. TV). If the radiator is covered by panelling or heavy curtains, heat will accumulate and the thermostat is therefore unable to sense and adjust the room temperature. In this case use the # 1165 thermostat with remote sensor or remote setting.

Hidden limitation or locking

To prevent unauthorized limitation or locking of the turning range, install one or two plug-in type stop pins.

The stop pins can be ordered as accessories, article number 9551 - 1 set.

Procedure

The lower part of the thermostatic head has a base part with circular holes to house the stop pins.

- Set the thermostatic head to the required limiting, or locking position.
- Between the hand wheel scale positions '6' and 'TT' is a line that shows the marking for setting the stop pins. It is advisable to follow the same procedure as for 'limitation'.
- Set hand wheel to required set value (picture 1)
- Upward limitation
Place pin in alignment to the left-hand end of the line. (picture 2)
- Downward limitation
Place pin in alignment to the right end of the line. (picture 3)
- Locking
Place a pin at the left and right ends of the line. (picture 4)
- Plug in the stop pins until the stop (thick end). They can be removed with an appropriate tool (pliers etc).



Picture 1



Picture 2



Picture 3



Picture 4