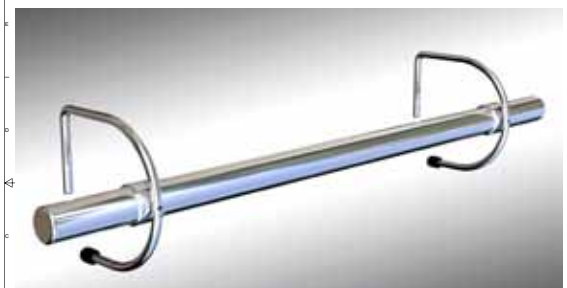
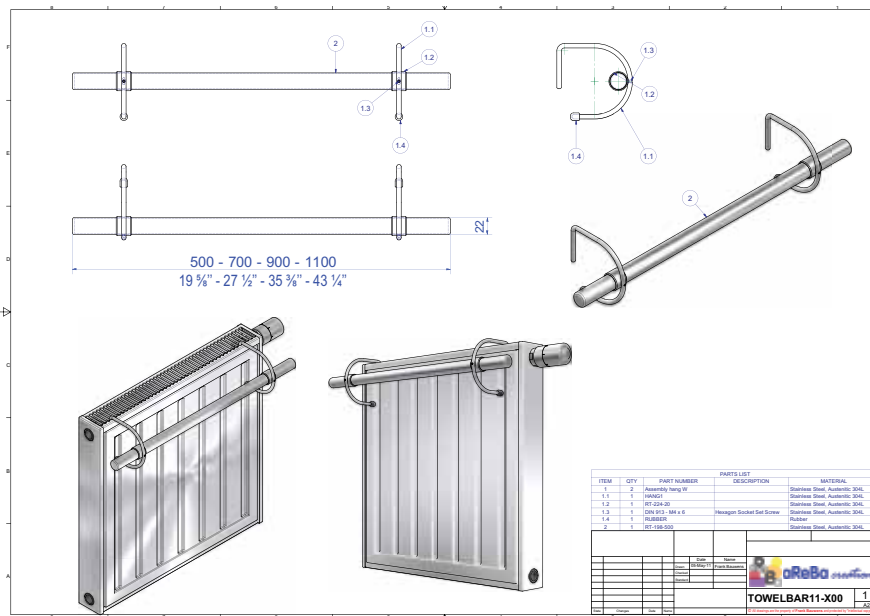


RADIATOR TOWEL BAR



- Type Radiators accessories: Universal Towel hanger
- Tube Closed tube Ø 22 × 1.2 mm
- Bracket vertical, square-profile 38.1 x 38.1 x 1.5 mm
- Dimensions Length tubes 500 - 700 - 900 - 1100 mm
Bracket: Height: 100 mm -
Depth: 100 mm
Tube distance to radiator: 64 mm
- Radiators Most Panel and Horizontal Design Radiators

Description	Code	Length		Packing	US Dollar each
		mm	inch		
Towel Bar set	TBRAD-0500-01	500	19 5/8"	1	97.00
Towel Bar set	TBRAD-0700-01	700	27 1/2"	1	106.30
Towel Bar set	TBRAD-0900-01	900	35 3/8"	1	115.60
Towel Bar set	TBRAD-1100-01	1100	43 1/4"	1	128.40



ITEM	QTY	PART NUMBER	DESCRIPTION	MATERIAL
1	2	BRACKET	BRACKET	Stainless Steel, Austenitic 304L
1.1	1	WASHER	WASHER	Stainless Steel, Austenitic 304L
1.2	1	SPRING WASHER	SPRING WASHER	Stainless Steel, Austenitic 304L
1.3	1	20W 912 - M4 x 6	Hexagon Socket Set Screw	Stainless Steel, Austenitic 304L
1.4	1	10-08000	Bracket	Stainless Steel, Austenitic 304L
2	1	10T-110-500	Bracket	Stainless Steel, Austenitic 304L

4 New Park Road,
East Windsor, CT 06088

HA-PLTB 2012-01