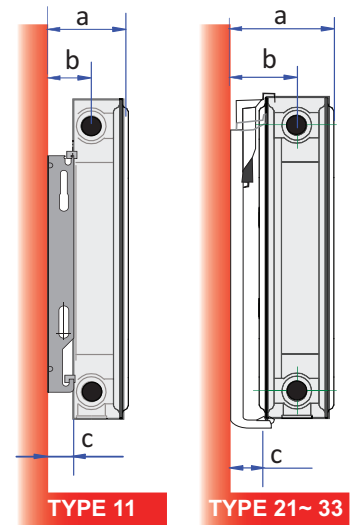


RADIATORS

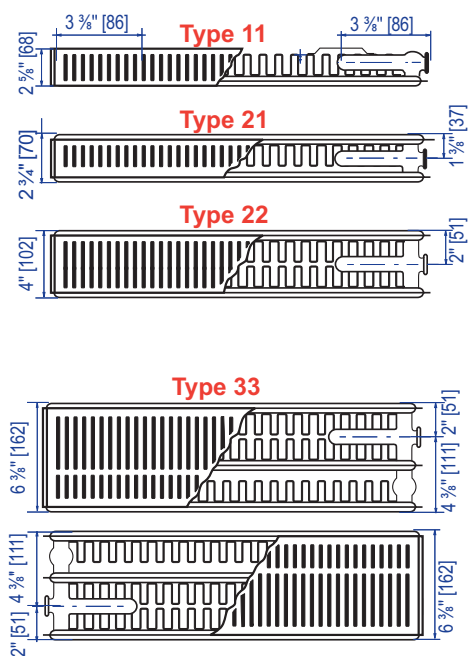
ORDER CODE: INT 21 XXX YYYY Z
 EXAMPLE: INT 21 300 0400 X
 radiator type height mm length mm
 Z = L: left conn. • R: right conn. • X: Reverse

INTEGRAL	Height × Length	Weight (Lbs)	BTU @ AWT		US\$
			180	140	
TYPE 11					
INT-11-500×0400	19 5/8" × 15 3/4"	15.2	1477	830	185.75
INT-11-500×0600	19 5/8" × 23 3/8"	20.3	2215	1244	205.50
INT-11-500×0700	19 5/8" × 27 1/2"	22.9	2589	1454	225.35
INT-11-500×0900	19 5/8" × 35 3/8"	28.0	3327	1869	224.20
INT-11-500×1000	19 5/8" × 39 3/8"	30.6	3696	2076	265.20
INT-11-600×0600	23 5/8" × 23 3/8"	24.5	2749	1544	224.20
INT-11-600×0700	23 5/8" × 27 1/2"	27.6	3205	1801	248.35
INT-11-600×0900	23 5/8" × 35 3/8"	34.0	4123	2316	264.70

TYPE 21					
INT-21-300×0400	11 3/4" × 15 3/4"	15.2	1367	768	192.45
INT-21-300×0600	11 3/4" × 23 3/8"	20.7	2053	1153	220.45
INT-21-300×0700	11 3/4" × 27 1/2"	23.4	2393	1344	248.50
INT-21-300×0900	11 3/4" × 35 3/8"	28.9	3111	1748	256.95
INT-21-300×1000	11 3/4" × 39 3/8"	31.7	3420	1921	299.60
INT-21-300×1200	11 3/4" × 47 1/4"	37.3	4101	2304	342.25
INT-21-300×1500	11 3/4" × 59"	45.4	5127	2880	386.45
INT-21-300×1800	11 3/4" × 70 7/8"	54.2	6154	3457	444.95
INT-21-300×2400	11 3/4" × 94 1/2"	70.8	8202	4608	557.20
INT-21-300×3000	11 3/4" × 118 1/8"	87.5	10255	5761	669.45
INT-21-400×0400	15 3/4" × 15 3/4"	19.2	1658	931	201.50
INT-21-400×0600	15 3/4" × 23 3/8"	26.5	2489	1398	231.85
INT-21-400×0700	15 3/4" × 27 1/2"	30.2	2900	1629	262.20
INT-21-400×0900	15 3/4" × 35 3/8"	37.5	3732	2097	279.65
INT-21-400×1000	15 3/4" × 39 3/8"	41.2	4147	2330	322.85
INT-21-400×1200	15 3/4" × 47 1/4"	49.4	4974	2794	353.15
INT-21-400×1500	15 3/4" × 59"	61.8	6221	3495	414.00
INT-21-400×1800	15 3/4" × 70 7/8"	74.2	7464	4193	474.65
INT-21-500×0400	19 5/8" × 15 3/4"	23.1	2019	1134	209.25
INT-21-500×0600	19 5/8" × 23 3/8"	32.2	3031	1703	241.05
INT-21-500×0700	19 5/8" × 27 1/2"	36.8	3532	1984	272.20
INT-21-500×0900	19 5/8" × 35 3/8"	46.1	4544	2553	304.00
INT-21-500×1000	19 5/8" × 39 3/8"	50.7	5050	2837	335.40
INT-21-500×1500	19 5/8" × 59"	73.6	7570	4253	429.85
INT-21-500×1800	19 5/8" × 70 7/8"	87.7	9087	5105	501.90
INT-21-600×0400	23 5/8" × 15 3/4"	27.6	2365	1329	224.30
INT-21-600×0600	23 5/8" × 23 3/8"	38.8	3549	1994	261.35
INT-21-600×0700	23 5/8" × 27 1/2"	44.3	4139	2325	297.80
INT-21-600×0900	23 5/8" × 35 3/8"	55.6	5324	2991	334.75
INT-21-600×1000	23 5/8" × 39 3/8"	61.1	5914	3322	371.40
INT-21-600×1200	23 5/8" × 47 1/4"	72.1	7099	3988	408.20
INT-21-600×1500	23 5/8" × 59"	88.8	8873	4985	481.80
INT-21-600×1800	23 5/8" × 70 7/8"	106.0	10648	5982	572.80



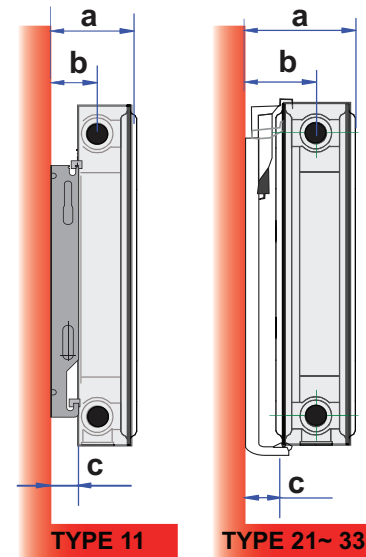
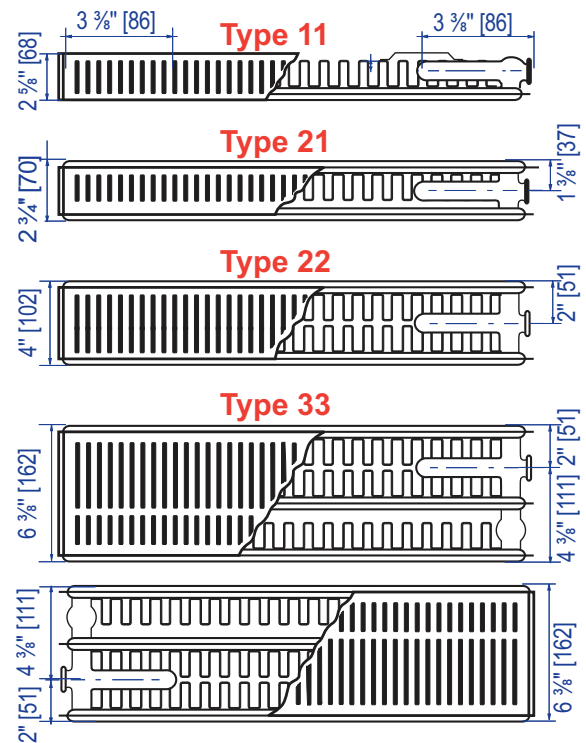
type	a inch	b inch	c inch
11 narrow	3 1/8"	1 3/4"	1 1/8"
11 wide	3 3/4"	2 3/8"	1 3/4"
21	3 7/8"	2 1/2"	1 1/8"
22	5 1/4"	3 1/4"	1 1/8"
33 right	7 1/2"	3 1/4"	1 1/8"
33 left	7 1/2"	7 1/8"	1 1/8"



All radiators are in USA stock: white RAL9016 (add \$425 List price for color pricing)

Integral

Part #	Height x Length	Weight (Lbs)	BTU @ AWT		US\$
			180	140	
TYPE 22					
INT-22-300x0400	11 3/4" x 15 3/4"	16.8	1540	865	☑
INT-22-300x0600	11 3/4" x 23 5/8"	22.9	2305	1295	☑
INT-22-300x0700	11 3/4" x 27 1/2"	26.0	2692	1512	☑
INT-22-300x0900	11 3/4" x 35 3/8"	32.4	3457	1942	☑
INT-22-300x1000	11 3/4" x 39 3/8"	35.3	3844	2160	☑
INT-22-300x1200	11 3/4" x 47 1/4"	41.4	4614	2592	☑
INT-22-300x1300	11 3/4" x 51 1/8"	44.5	4997	2807	☑
INT-22-300x1500	11 3/4" x 59"	50.9	5766	3239	☑
INT-22-300x1800	11 3/4" x 70 7/8"	60.6	6919	3887	☑
INT-22-400x0400	15 3/4" x 15 3/4"	21.6	2009	1129	☑
INT-22-400x0600	15 3/4" x 23 5/8"	29.8	3014	1693	☑
INT-22-400x0700	15 3/4" x 27 1/2"	33.7	3516	1975	☑
INT-22-400x0900	15 3/4" x 35 3/8"	42.1	4520	2539	☑
INT-22-400x1000	15 3/4" x 39 3/8"	46.1	5023	2822	☑
INT-22-400x1200	15 3/4" x 47 1/4"	54.2	6027	3386	☑
INT-22-400x1500	15 3/4" x 59"	66.6	7534	4233	☑
INT-22-400x1800	15 3/4" x 70 7/8"	79.1	9041	5079	☑
INT-22-500x0400	19 5/8" x 15 3/4"	26.2	2633	1479	☑
INT-22-500x0600	19 5/8" x 23 5/8"	36.4	3948	2218	☑
INT-22-500x0700	19 5/8" x 27 1/2"	41.4	4607	2588	☑
INT-22-500x0900	19 5/8" x 35 3/8"	51.8	5926	3329	☑
INT-22-500x1000	19 5/8" x 39 3/8"	56.9	6581	3697	☑
INT-22-600x0400	23 5/8" x 15 3/4"	31.1	3192	1793	☑
INT-22-600x0600	23 5/8" x 23 5/8"	43.9	4786	2689	☑
INT-22-600x0700	23 5/8" x 27 1/2"	50.0	5583	3137	☑
INT-22-600x0900	23 5/8" x 35 3/8"	62.8	7177	4032	☑
INT-22-600x1000	23 5/8" x 39 3/8"	69.2	7979	4483	☑
INT-22-600x1200	23 5/8" x 47 1/4"	81.8	9573	5378	☑
INT-22-600x1500	23 5/8" x 59"	100.8	11964	6721	☑
INT-22-600x1800	23 5/8" x 70 7/8"	120.4	14359	8067	☑
TYPE 33					
INT-33-500x0400	19 5/8" x 15 3/4"	37.5	3348	1881	269.50
INT-33-500x0600	19 5/8" x 23 5/8"	52.7	4906	2756	339.30
INT-33-500x0700	19 5/8" x 27 1/2"	60.4	5725	3216	378.90
INT-33-500x0900	19 5/8" x 35 3/8"	75.8	7361	4135	433.65
INT-33-500x1000	19 5/8" x 39 3/8"	83.6	8175	4593	488.40
INT-33-600x0600	23 5/8" x 23 5/8"	64.2	6139	3449	374.05
INT-33-600x0900	23 5/8" x 35 3/8"	92.4	9210	5174	506.65
INT-33-600x1000	23 5/8" x 39 3/8"	101.9	10234	5749	572.80
INT-33-600x1200	23 5/8" x 47 1/4"	120.6	12282	6900	639.00
INT-33-600x1500	23 5/8" x 59"	148.8	15349	8623	771.45
INT-33-600x1800	23 5/8" x 70 7/8"	177.5	18420	10348	903.85



type	a		b		c	
	inch	mm	inch	mm	inch	mm
11 narrow	3 3/8"	79	1 3/4"	44	1 1/8"	30
11 wide	3 3/4"	94	2 3/8"	59	1 3/4"	45
21	3 7/8"	100	2 1/2"	65	1 1/8"	30
22	5 1/4"	134	3 3/4"	82	1 1/8"	30
33 right	7 1/2"	190	3 3/4"	82	1 1/8"	30
33 left	7 1/2"	190	7 1/8"	182	1 1/8"	30

Vertical

Part #	Height x Length	BTU @ AWT		US\$
		180	140	
TYPE 20				
VER-20-1500x400	59" x 15 3/4"	2,930.0	1791	422.85
VER-20-1500x600	59" x 23 5/8"	4,696.0	2870	778.70
VER-20-1800x400	70 7/8" x 15 3/4"	5,262.0	3216	445.00
VER-20-1800x600	70 7/8" x 23 5/8"	7,407.0	4528	815.50