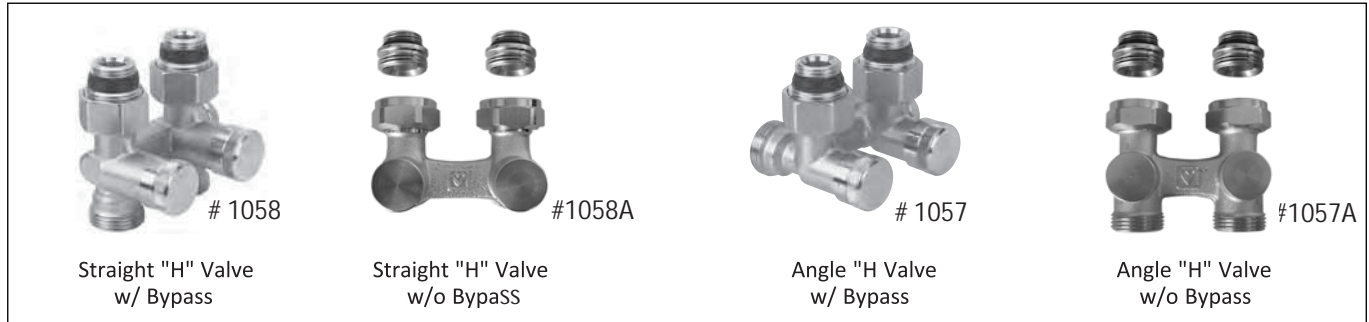


"H" valve for radiators with 2" (50mm) connection



Application

By means of the "H" valve, every radiator with a center distance between the connections of 2" (50 mm) can be isolated individually, e.g. in order to carry out trouble-free maintenance without affecting other parts of the system.

"H" valves are nickel plated and available in straight or angle versions. Special adapters ensure that the "H" valve can be used both for radiators with an internal thread of G 1/2 and with an external thread of G 3/4 A. All adapters are self-sealing.

"H" valve #'s 1057 and 1058 can be changed from two-pipe to one-pipe operation.

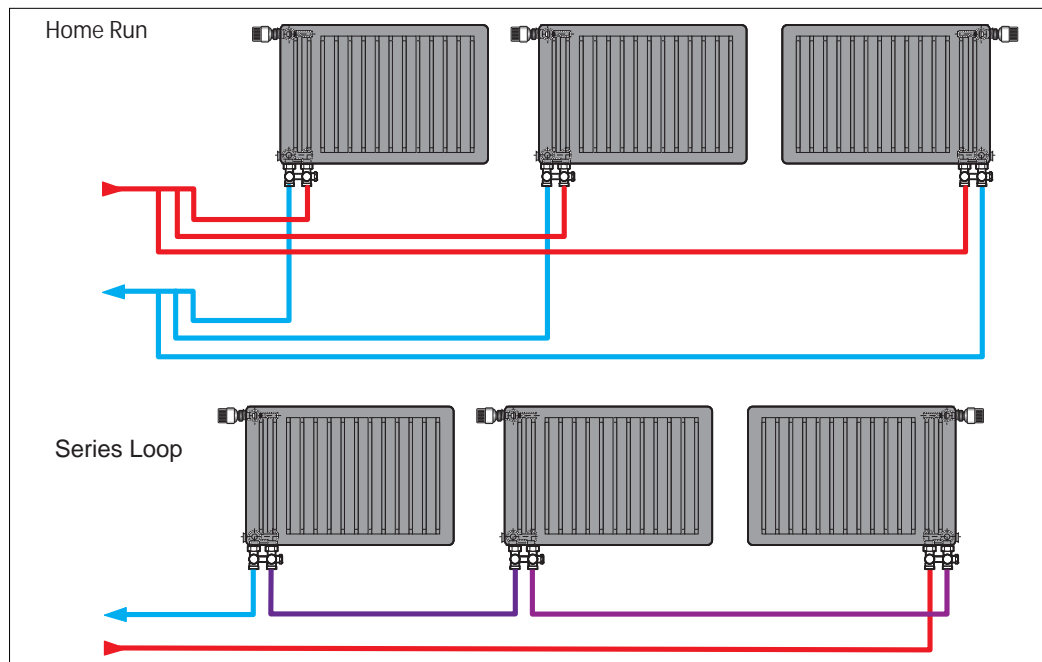
The factory setting is for two-pipe operation.

In one-pipe operation, the #'s 1057 & 1058 water flow to the radiator can be set infinitely variably. The shift to one-pipe operation is simply done by turning the bypass spindle.

Connection to copper, PEX and iron pipe are made easily with compression fittings.

In order to avoid deposition and corrosion, the composition of the hot water should be in accordance with the VDI 2035 guidelines (Verein Deutscher Ingenieure).

System



Ordering and data

Type	Version	Connection Radiator	System	Max. operation pressure	Test pressure	Max. water temperature	Code no.
	Angle w/ bypass	G ½ A	G ¾ A	145 PSI	232 PSI	°F 248	# 1057
	Straight w/ bypass						# 1058
	Angle w/o bypass	G ½ A	G ¾ A				# 1057A
	Straight w/o bypass						# 1058A

Accessories



Capacity

		k _v -value (m³/h)						
		Radiator share	100% ^②	50%	35%	30%	25%	20%
RLV-K	k _{vs} -value		1.4	1.8	2.0			
RLV-K with RA-N integrated valve ^①	k _v -value ^③		0.7	1.2	1.5			
RLV-K set to 35% with RA-N integrated valve ^①	k _v -value					1.4	1.3	1.2
	Presetting value		N	N	N	6	5	4

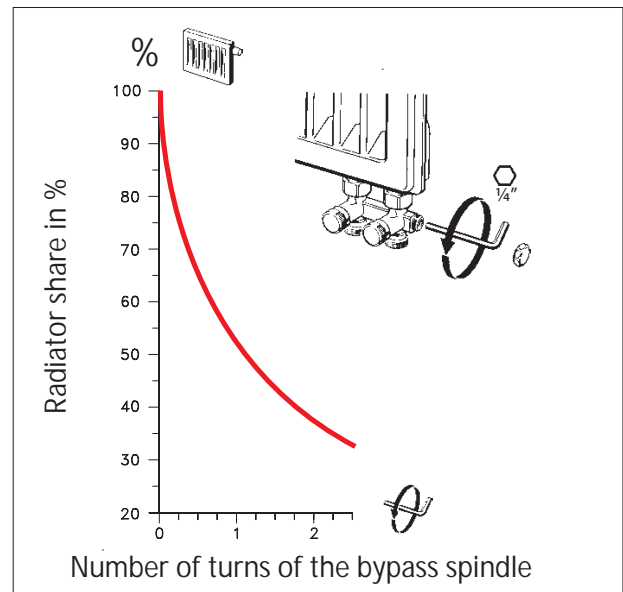
- ① Radiator flow in accordance with the setting of the bypass regulation with radiator inte-grated valve, type RA-N.
- ② Factory setting = two-pipe operation.
- ③ The k_v-values give the flow volume (Q) in m³/h through the RLV-K union in combination with a built-in valve with k_v=0.87 m³/h at Xp=2 K.

Setting of bypass regulation in one-pipe operation

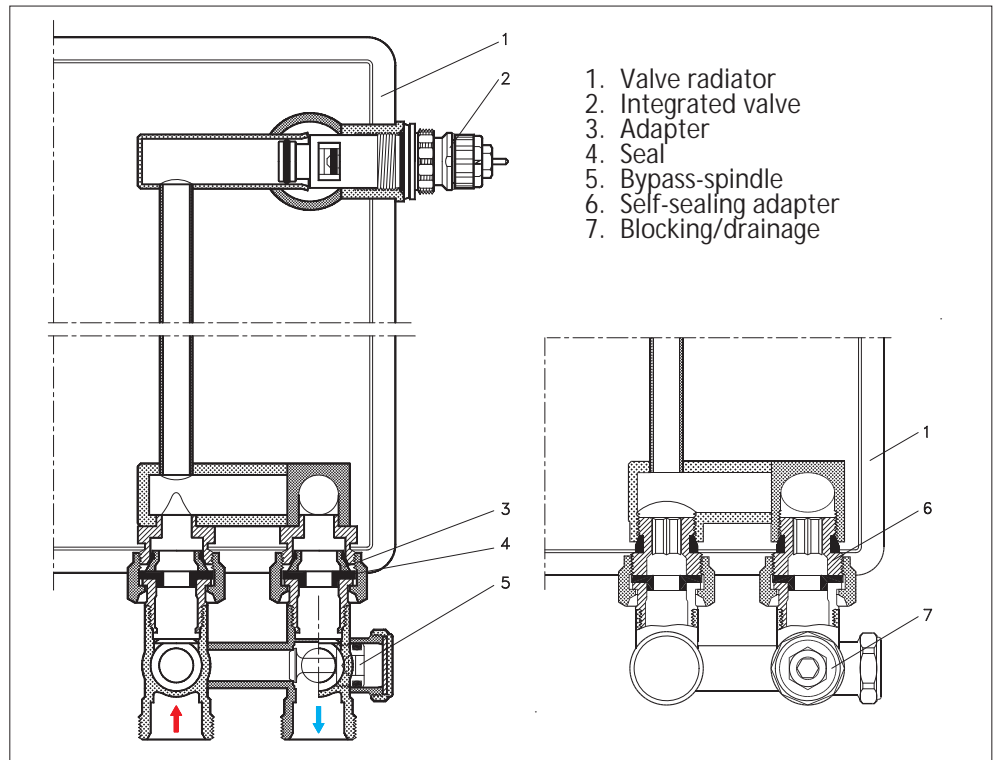
The factory setting RLV-K is for two-pipe operation. This means that the integral bypass regulation is turned off.

Shifting to one-pipe operation is made by opening the bypass spindle. The radiator share (flow) can be adjusted infinitely variably.

The connection between flow and number of turns can be seen from the diagram next to this text (at setting "N" of the Danfoss inte-grated valve and at Xp = 2 K).



Design



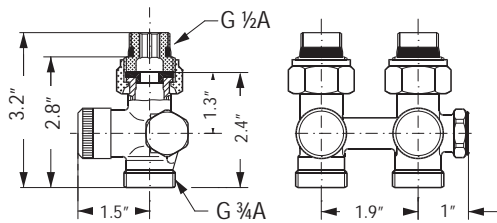
- 1. Valve radiator
- 2. Integrated valve
- 3. Adapter
- 4. Seal
- 5. Bypass-spindle
- 6. Self-sealing adapter
- 7. Blocking/drainage

Materials in contact with water

Valve body and other metal parts	Ms 58
O-rings	EPDM

Dimensions

1058 & 1058A straight, G 1/2 radiator connections



1057 & 1057A angle, G 1/2 radiator connections

