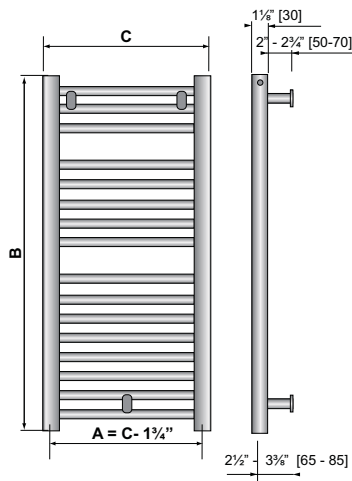


BATHROOM RADIATORS

Hawaii



Types	HAxxxxWA and HAxxxxWAC (straight)
Tubes	horizontal, round $1\frac{3}{16}'' \times 1\frac{1}{16}''$ [21 x 1.1]
Collectors	vertical, D-profile $1\frac{5}{16}'' \times 1\frac{5}{16}'' \times 1\frac{1}{16}''$ [34 x 34 x 2]
Finish	Sil-brazed (invisible seams), electrostatic powder coating with epoxy-polyester
Formation	wall mounting only
Operating pressure	145psi [10 bar] (standard)
Connections	standard universal connection 1-8 2 x $\frac{1}{2}''$ (bottom)



A = center-to-center connections
 = C - $1\frac{1}{4}''$
 B = height
 C = length

TYPE	Width Height		Width Height		center-to-center connections		BTU Output 200/160/68°F	Watt $\Delta 50^\circ K$	List Price US \$
	C	B	C	B	A	A			
	inch		mm		inch	mm			
Hawaiiwhite									
HA0506WA	19 $\frac{5}{8}''$	23 $\frac{5}{8}''$	500	600	17 $\frac{7}{8}''$	455	1368	305	286.85
HA0509WA	19 $\frac{5}{8}''$	35 $\frac{3}{8}''$	500	900	17 $\frac{7}{8}''$	455	1713	382	321.10
HA0512WA	19 $\frac{5}{8}''$	47 $\frac{1}{4}''$	500	1200	17 $\frac{7}{8}''$	455	2511	560	380.65
HA0515WA	19 $\frac{5}{8}''$	59''	500	1500	17 $\frac{7}{8}''$	455	3229	720	444.60
HA0518WA	19 $\frac{5}{8}''$	68 $\frac{7}{8}''$	500	1750	17 $\frac{7}{8}''$	455	3843	857	527.15
HA0606WA	23 $\frac{5}{8}''$	23 $\frac{5}{8}''$	600	600	21 $\frac{7}{8}''$	555	1596	356	322.25
HA0609WA	23 $\frac{5}{8}''$	35 $\frac{3}{8}''$	600	900	21 $\frac{7}{8}''$	555	1982	442	366.30
HA0612WA	23 $\frac{5}{8}''$	47 $\frac{1}{4}''$	600	1200	21 $\frac{7}{8}''$	555	2915	650	397.85
HA0615WA	23 $\frac{5}{8}''$	59''	600	1500	21 $\frac{7}{8}''$	555	3758	838	463.75
HA0618WA	23 $\frac{5}{8}''$	68 $\frac{7}{8}''$	600	1750	21 $\frac{7}{8}''$	555	4480	999	550.35
Hawaiiichrome									
HA0506WAC	19 $\frac{5}{8}''$	23 $\frac{5}{8}''$	500	600	17 $\frac{7}{8}''$	455	1067	238	616.00
HA0509WAC	19 $\frac{5}{8}''$	35 $\frac{3}{8}''$	500	900	17 $\frac{7}{8}''$	455	1336	298	675.80
HA0512WAC	19 $\frac{5}{8}''$	47 $\frac{1}{4}''$	500	1200	17 $\frac{7}{8}''$	455	1959	437	801.30
HA0515WAC	19 $\frac{5}{8}''$	59''	500	1500	17 $\frac{7}{8}''$	455	2518	562	886.95
HA0518WAC	19 $\frac{5}{8}''$	68 $\frac{7}{8}''$	500	1750	17 $\frac{7}{8}''$	455	2997	668	928.95
HA0606WAC	23 $\frac{5}{8}''$	23 $\frac{5}{8}''$	600	600	21 $\frac{7}{8}''$	555	1245	278	687.15
HA0609WAC	23 $\frac{5}{8}''$	35 $\frac{3}{8}''$	600	900	21 $\frac{7}{8}''$	555	1546	345	806.20
HA0612WAC	23 $\frac{5}{8}''$	47 $\frac{1}{4}''$	600	1200	21 $\frac{7}{8}''$	555	2273	507	851.15
HA0615WAC	23 $\frac{5}{8}''$	59''	600	1500	21 $\frac{7}{8}''$	555	2931	654	917.75
HA0618WAC	23 $\frac{5}{8}''$	68 $\frac{7}{8}''$	600	1750	21 $\frac{7}{8}''$	555	3494	779	976.30

Note: Stock items in white (RAL 9016). The additional cost for color is \$ 250.00 per radiator.
Please consult technical price sheet for other colors options, allow 8-10 weeks for special orders

Stock in USA

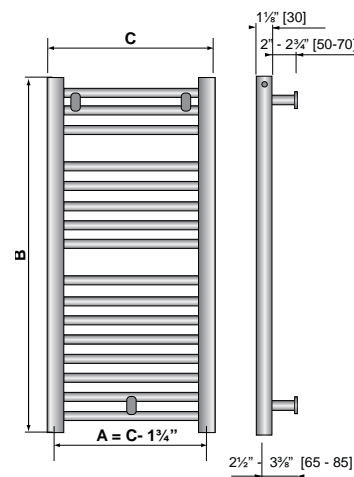
BATHROOM RADIATORS

Bilbao

Types	HABxxxxWA and HABxxxxWAC (curved)
Tubes	horizontal, round $1\frac{3}{16}" \times 1\frac{1}{16}"$ [21 x 1.1]
Collectors	vertical, D-profile $1\frac{5}{16}" \times 1\frac{5}{16}" \times 1\frac{1}{16}"$ [34 x 34 x 2]
Finish	Sil-brazed (invisible seams), electrostatic powder coating with epoxy-polyester
Formation	wall mounting only
Operating pressure	145psi [10 bar] (standard)
Connections	standard universal connection 1-8 2 x $\frac{1}{2}"$ (bottom)



TYPE	Width Height		Width Height		center-to-center connections		BTU Output 200/160/68°F	Watt $\Delta 50^\circ\text{K}$	List Price US \$
	C inch	B inch	C mm	B mm	A inch	A mm			
Bilbao white									
HAB0506WA	19 $\frac{5}{8}"$	23 $\frac{5}{8}"$	500	600	17 $\frac{7}{8}"$	455	1368	305	350.25
HAB0509WA	19 $\frac{5}{8}"$	35 $\frac{3}{8}"$	500	900	17 $\frac{7}{8}"$	455	1713	382	384.50
HAB0512WA	19 $\frac{5}{8}"$	47 $\frac{1}{4}"$	500	1200	17 $\frac{7}{8}"$	455	2511	560	454.60
HAB0515WA	19 $\frac{5}{8}"$	59"	500	1500	17 $\frac{7}{8}"$	455	3229	720	498.25
HAB0518WA	19 $\frac{5}{8}"$	68 $\frac{7}{8}"$	500	1750	17 $\frac{7}{8}"$	455	3843	857	578.05
HAB0606WA	23 $\frac{5}{8}"$	23 $\frac{5}{8}"$	600	600	21 $\frac{7}{8}"$	555	1596	356	374.85
HAB0609WA	23 $\frac{5}{8}"$	35 $\frac{3}{8}"$	600	900	21 $\frac{7}{8}"$	555	1982	442	440.85
HAB0612WA	23 $\frac{5}{8}"$	47 $\frac{1}{4}"$	600	1200	21 $\frac{7}{8}"$	555	2915	650	477.10
HAB0615WA	23 $\frac{5}{8}"$	59"	600	1500	21 $\frac{7}{8}"$	555	3758	838	528.60
HAB0618WA	23 $\frac{5}{8}"$	68 $\frac{7}{8}"$	600	1750	21 $\frac{7}{8}"$	555	4480	999	603.15
Bilbao chrome									
HAB0506WAC	19 $\frac{5}{8}"$	23 $\frac{5}{8}"$	500	600	17 $\frac{7}{8}"$	455	1067	238	616.00
HAB0509WAC	19 $\frac{5}{8}"$	35 $\frac{3}{8}"$	500	900	17 $\frac{7}{8}"$	455	1336	298	675.80
HAB0512WAC	19 $\frac{5}{8}"$	47 $\frac{1}{4}"$	500	1200	17 $\frac{7}{8}"$	455	1959	437	801.30
HAB0515WAC	19 $\frac{5}{8}"$	59"	500	1500	17 $\frac{7}{8}"$	455	2518	562	886.95
HAB0518WAC	19 $\frac{5}{8}"$	68 $\frac{7}{8}"$	500	1750	17 $\frac{7}{8}"$	455	2997	668	928.95
HAB0606WAC	23 $\frac{5}{8}"$	23 $\frac{5}{8}"$	600	600	21 $\frac{7}{8}"$	555	1245	278	687.15
HAB0609WAC	23 $\frac{5}{8}"$	35 $\frac{3}{8}"$	600	900	21 $\frac{7}{8}"$	555	1546	345	806.20
HAB0612WAC	23 $\frac{5}{8}"$	47 $\frac{1}{4}"$	600	1200	21 $\frac{7}{8}"$	555	2273	507	851.15
HAB0615WAC	23 $\frac{5}{8}"$	59"	600	1500	21 $\frac{7}{8}"$	555	2931	654	917.75
HAB0618WAC	23 $\frac{5}{8}"$	68 $\frac{7}{8}"$	600	1750	21 $\frac{7}{8}"$	555	3494	779	976.30



A = center-to-center connections
= C - $1\frac{3}{4}"$
B = height
C = length

Note: Stock items in white (RAL 9016). The additional cost for color is \$ 250.00 per radiator.
Please consult technical price sheet for other colors options, allow 8-10 weeks for special orders

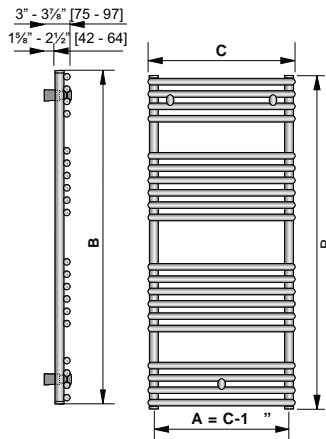
Stock in USA

BATHROOM RADIATORS



Baccara

Types	BAxxxxWA and BAxxxxWAC (straight)
Tubes	horizontal, round $1\frac{3}{16}'' \times \frac{1}{16}''$ [21 x 1.1]
Collectors	vertical, round, rear $\varnothing 1\frac{3}{8}'' \times \frac{1}{16}''$ [35 x 2]
Finish	Sil-brazed (invisible seams), electrostatic powder coating with epoxy-polyester
Formation	wall mounting only
Operating pressure	145psi [10 bar] (standard)
Connections	standard universal connection 1-8 2 x $\frac{1}{2}''$ (bottom)



TYPE	Width C inch	Height B	Width C mm	Height B	center-to-center connections A inch mm	BTU Output 200/160/68°F	Watt $\Delta 50^\circ K$	List Price US \$
Baccara white								
BA0508WA	19 $\frac{5}{8}''$	29 $\frac{1}{2}''$	500	750	18 $\frac{1}{4}''$ 465	1771	395	362.80
BA0509WA	19 $\frac{5}{8}''$	35 $\frac{3}{8}''$	500	900	18 $\frac{1}{4}''$ 465	2193	489	406.35
BA0512WA	19 $\frac{5}{8}''$	47 $\frac{1}{4}''$	500	1200	18 $\frac{1}{4}''$ 465	2699	602	481.55
BA0515WA	19 $\frac{5}{8}''$	59''	500	1500	18 $\frac{1}{4}''$ 465	3372	752	562.40
BA0518WA	19 $\frac{5}{8}''$	68 $\frac{7}{8}''$	500	1750	18 $\frac{1}{4}''$ 465	4529	1010	666.95
BA0608WA	23 $\frac{5}{8}''$	29 $\frac{3}{4}''$	600	760	21'' 565	1123	326	407.60
BA0612WA	23 $\frac{5}{8}''$	45''	600	1150	21'' 565	1658	481	503.40
BA0615WA	23 $\frac{5}{8}''$	56 $\frac{7}{8}''$	600	1450	21'' 565	2044	593	613.45
BA0618WA	23 $\frac{5}{8}''$	68 $\frac{7}{8}''$	600	1750	21'' 565	2498	725	696.20
Baccara chrome								
BA0508WAC	19 $\frac{5}{8}''$	29 $\frac{1}{2}''$	500	750	18 $\frac{1}{4}''$ 465	1386	309	745.45
BA0509WAC	19 $\frac{5}{8}''$	35 $\frac{3}{8}''$	500	900	18 $\frac{1}{4}''$ 465	1717	383	817.75
BA0512WAC	19 $\frac{5}{8}''$	47 $\frac{1}{4}''$	500	1200	18 $\frac{1}{4}''$ 465	2108	470	969.50
BA0515WAC	19 $\frac{5}{8}''$	59''	500	1500	18 $\frac{1}{4}''$ 465	2637	588	1 073.20
BA0518WAC	19 $\frac{5}{8}''$	68 $\frac{7}{8}''$	500	1750	18 $\frac{1}{4}''$ 465	3542	790	1 124.25
BA0608WAC	23 $\frac{5}{8}''$	29 $\frac{1}{2}''$	600	750	22 $\frac{1}{4}''$ 565	1596	356	831.45
BA0609WAC	23 $\frac{5}{8}''$	35 $\frac{3}{8}''$	600	900	22 $\frac{1}{4}''$ 565	1982	442	975.50
BA0612WAC	23 $\frac{5}{8}''$	47 $\frac{1}{4}''$	600	1200	22 $\frac{1}{4}''$ 565	2430	542	1 029.50
BA0615WAC	23 $\frac{5}{8}''$	59''	600	1500	22 $\frac{1}{4}''$ 565	3036	677	1 110.45
BA0618WAC	23 $\frac{5}{8}''$	68 $\frac{7}{8}''$	600	1750	22 $\frac{1}{4}''$ 565	4103	915	1 181.30

A = center-to-center connections
 = C - 1 ''
 B = height
 C = length

Note: Stock items in white (RAL 9016). The additional cost for color is \$ 250.00 per radiator.
 Please consult technical price sheet for other colors options, allow 8-10 weeks for special orders

Stock in USA

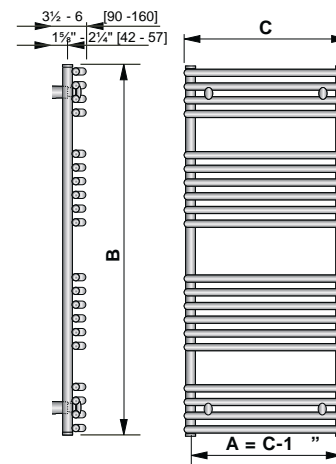
BATHROOM RADIATORS

Koba

Types	BABxxxxWA and BABxxxxWAC (straight)
Tubes	horizontal, round 13/16" x 1/16" [21 x 1.1]
Collectors	vertical, round, rear Ø1 3/8" x 1/16" [35 x 2]
Finish	Sil-brazed (invisible seams), electrostatic powder coating with epoxy-polyester
Formation	wall mounting only
Operating pressure	145psi [10 bar] (standard)
Connections	standard universal connection 1-8 2 x 1/2" (bottom)



TYPE	Width	Height	Width	Height	center-to-center connections		BTU Output 200/160/68°F	Watt Δ50°K	List Price US \$
	C inch	B inch	C mm	B mm	A inch mm				
Kobawhite									
BAB0508WA	19 5/8"	29 1/2"	500	750	18	465	1771	395	443.15
BAB0509WA	19 5/8"	35 3/8"	500	900	18	465	2193	489	486.40
BAB0512WA	19 5/8"	47 1/4"	500	1200	18	465	2699	602	575.10
BAB0515WA	19 5/8"	59	500	1500	18	465	3372	752	630.30
BAB0518WA	19 5/8"	68 7/8"	500	1750	18	465	4529	1010	731.25
BAB0608WA	23 5/8"	29 1/2"	600	750	22	565	2045	456	474.20
BAB0609WA	23 5/8"	35 3/8"	600	900	22	565	2534	565	557.75
BAB0612WA	23 5/8"	47 1/4"	600	1200	22	565	3107	693	603.55
BAB0615WA	23 5/8"	59	600	1500	22	565	3883	866	663.65
BAB0618WA	23 5/8"	68 7/8"	600	1750	22	565	5246	1170	763.00
Kobachrome									
BAB0508WAC	19 5/8"	29 1/2"	500	750	18	465	1386	309	918.25
BAB0509WAC	19 5/8"	35 3/8"	500	900	18	465	1717	383	979.25
BAB0512WAC	19 5/8"	47 1/4"	500	1200	18	465	2108	470	1 157.80
BAB0515WAC	19 5/8"	59	500	1500	18	465	2637	588	1 245.20
BAB0518WAC	19 5/8"	68 7/8"	500	1750	18	465	3542	790	1 332.30
BAB0608WAC	23 5/8"	29 1/2"	600	750	22	565	1596	356	971.20
BAB0609WAC	23 5/8"	35 3/8"	600	900	22	565	1982	442	1 076.00
BAB0612WAC	23 5/8"	47 1/4"	600	1200	22	565	2430	542	1 233.70
BAB0615WAC	23 5/8"	59	600	1500	22	565	3036	677	1 336.00
BAB0618WAC	23 5/8"	68 7/8"	600	1750	22	565	4103	915	1 414.95



A = center-to-center connections
= C - 1 "

B = height

C = length

Stock in USA

Note: Stock items in white (RAL 9016). The additional cost for color is \$ 250.00 per radiator.
Please consult technical price sheet for other colors options, allow 8-10 weeks for special orders